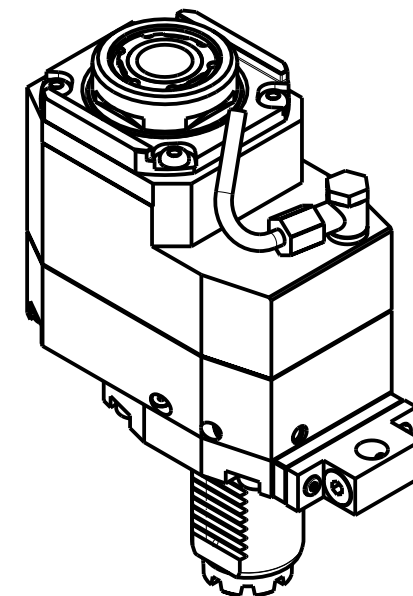
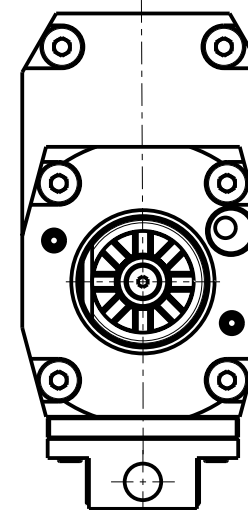
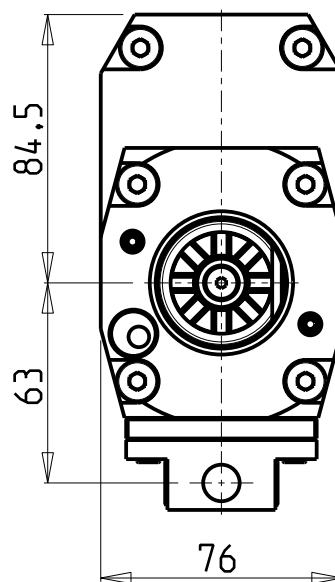


versione dx  
right version  
version rechts

versione sx  
left version  
version links

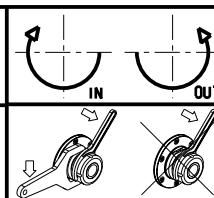


Cod. MT		Mandrino Spindle Spindel	i	RPM	Coppia Max Max Torque Max Drehmoment	Lubrificazione int. Coolant through Innenkuehlung	Lubrificazione est. Ext. coolant Aussenkuehlung	CHIAVI NON INCLUSE Keys not included Schluessel nicht einbegriffen		
versione dx right version version rechts	versione sx left version version links							CHUB30	CHTAER32ZC *	OKU0650004 *
BAR0126132	BAR0127132	ERA32	1:2	8000	45Nm	-	X	CHUB30	CHTAER32ZC *	OKU0650004 *
BAR0126232	BAR0127232	ERA32	1:2	8000	45Nm	P=70bar	X	CHUB30	CHTAER32ZC *	OKU0650004 *

- Chiave inclusa
- Key included
- Schluessel inbegriffen

BARUFFALDI  
VDI 40

MODULO MOTORIZZATO ASSIALE MOLTIPLICATO I=1:2 DISASSATO 42mm VDI40  
Axial geared-up I=1:2 driven tool re-directed by 42mm VDI40  
Axial angetriebenes Werkzeug uebersetzt I=1:2 achsversetzt um 42mm VDI40



**M.T. srl**  
Via Casino Albini 480  
Tel. 0541/956034-957884  
Fax 0541/956341  
47842 S. GIOVANNI IN M. (RN)  
e-mail: mtma@mtmarchetti.com  
http://www.mtmarchetti.com



BAR160-2-20

Subject to change without notice.

03/2024