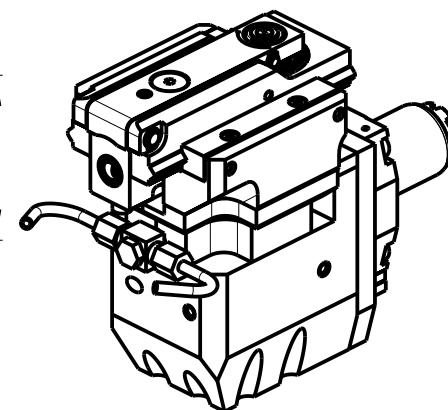
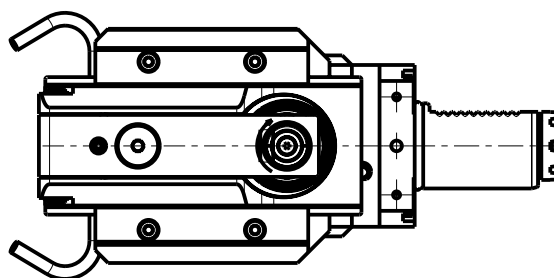
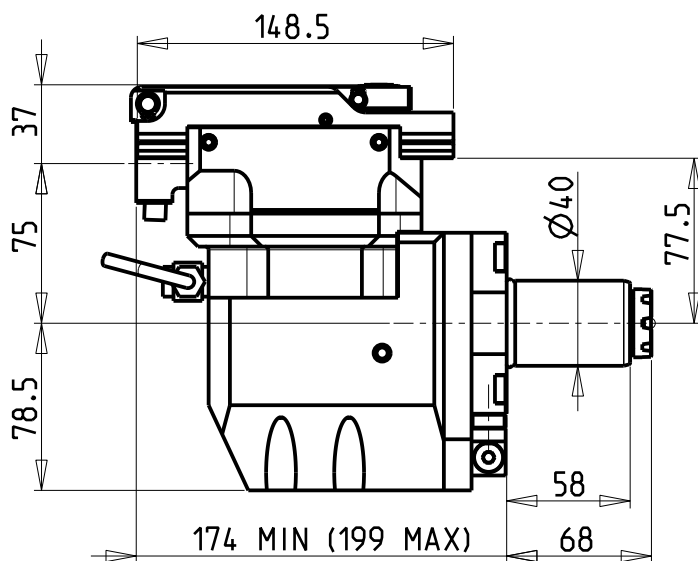
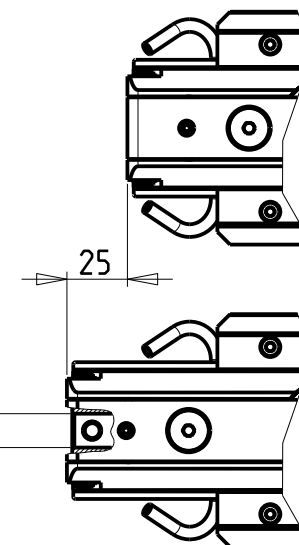
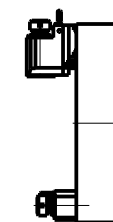


versione sx
left version
version links

versione dx
right version
version rechts



**TORRETTE ASSIALI
AXIAL TURRETS
AXIAL REVOLVER**



TOOL DIAMETER
Ø16

25

DOTAZIONI - SUPPLIED WITH - AUSSTATTUNG

- N°1 Boccola di riduz. Ø16-Ø12 e N°1 Boccola di riduz. Ø16-Ø10
- N°1 Reduction bush Ø16-Ø12 and N°1 Reduction bush Ø16-Ø10
- N°1 Reduzierbuchsen Ø16-Ø12 und N°1 Reduzierbuchsen Ø16-Ø10

PER UTENSILI STOZZATORI VEDI PAG. TBL400-1-00
FOR DRIVEN SLOTTING TOOL CUTTING-TOOLS SEE PAGE TBL400-1-00
FÜR NUTENSTOSS-WERKZEUG SCHNEIDWERKZEUGE SIEHE SEITE TBL400-1-00

Cod. MT	I	RPM MAX	Lubr. esterna Ext. coolant Aussenkuehlung	VDI
BAR0180200	4:1	2400	X	DESTRO - Right - Recht
BAR0181200	4:1	2400	X	SINISTRO - Left - Link

BARUFFALDI
VDI 40

MODULO MOTORIZZATO STOZZATORE CORSA 25mm VDI40
Slotting driven tool 25mm stroke VDI40
Keilnutenstossmaschine 25mm Hub VDI40

M.T. srl

Via Casino Albini 480
Tel. 0541/956034-957884
Fax 0541/956341
47842 S. GIOVANNI IN M. (RN)
e-mail: mtma@mtmarchetti.com
http://www.mtmarchetti.com



BAR360-2-31

Subject to change without notice.

03/2024