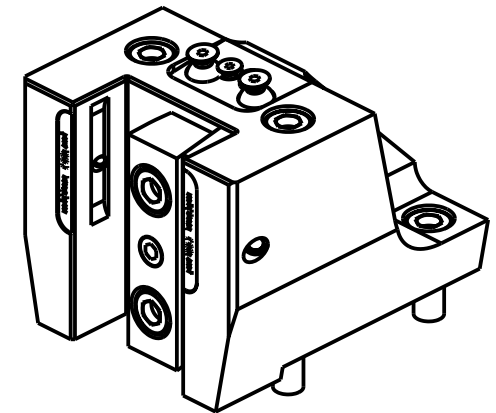
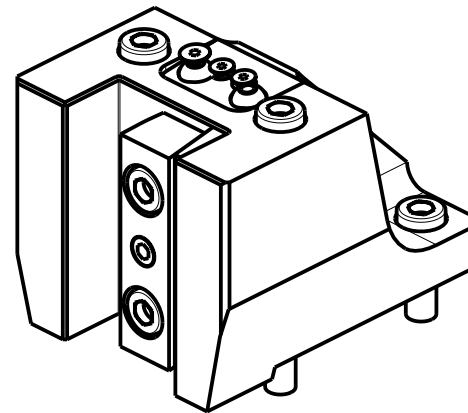
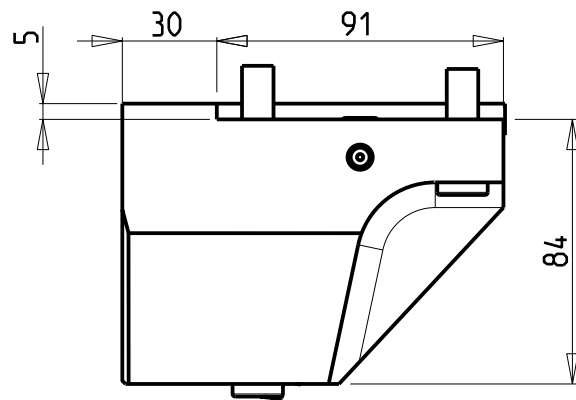


0555010



Cod. MT	Cod. BIGLIA	N°Utensili N°Tools N°Werkzeuge	Reversibile lato mandrino/contromandrino Reversible sub/main spindle side Umkehrbare Spindel-seite/ Gegenspindel-seite	Lubrificazione int. Coolant through Innenkuehlung	Lubrificazione est. Ext. coolant Aussenkuehlung	Misure Dimensions Masse	B	H
0555000	10.88.16.00	1/2	X	-	X	mm	25	25
0555080	PSC -730-Y-1	1/2	X	-	X	Inch	1"	1"
0555010	-	1/2	X	P=70bar	X	mm	25	25

BIGLIA
 MOD: B301/445/470/501(Y-S)/510/545/550/565/620/650/658/1200/446/465/745/765 - B750/1250 16 ST.

PORTAUTENSILE RADIALE SINGOLO QD=25mm / QD=1"
 Radial single static tool QD=25mm / QD=1"
 Radial Single-Werkzeughalter QD=25mm / QD=1"

Subject to change without notice.

M.T. srl
 Via Casino Albini 480
 Tel. 0541/956034-957884
 Fax 0541/956341
 47842 S. GIOVANNI IN M. (RN)
 e-mail: mtma@mtmarchetti.com
 http://www.mtmarchetti.com



PAGINA BGL423-1-00