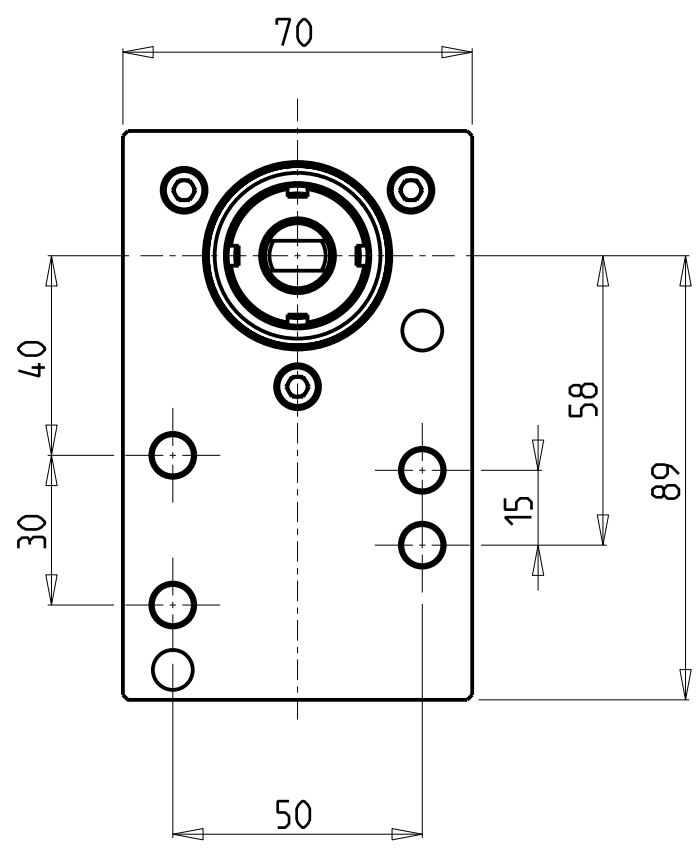
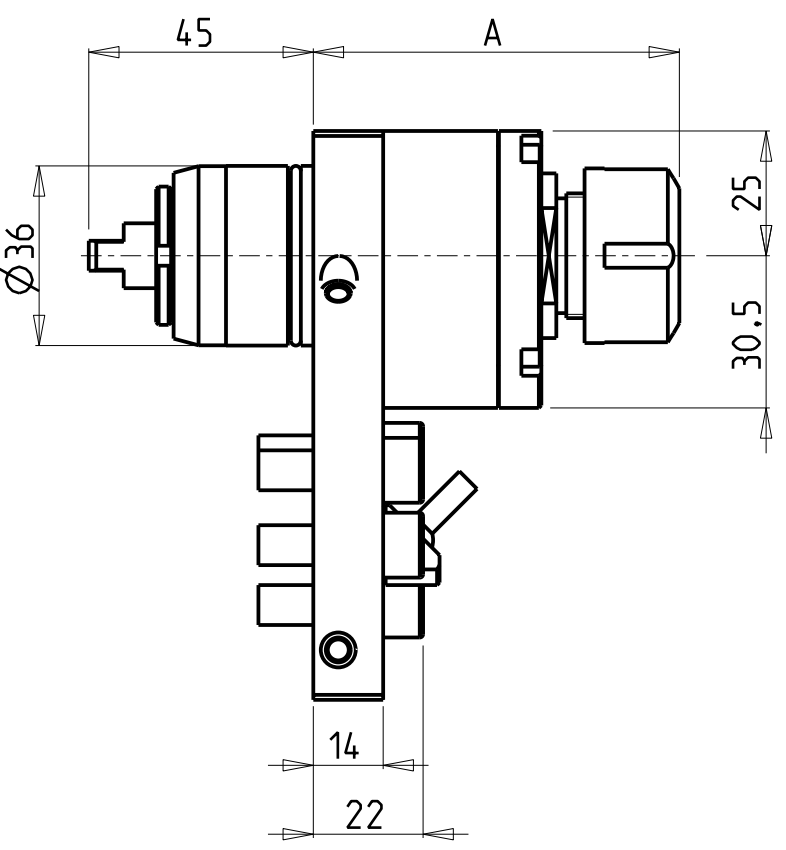
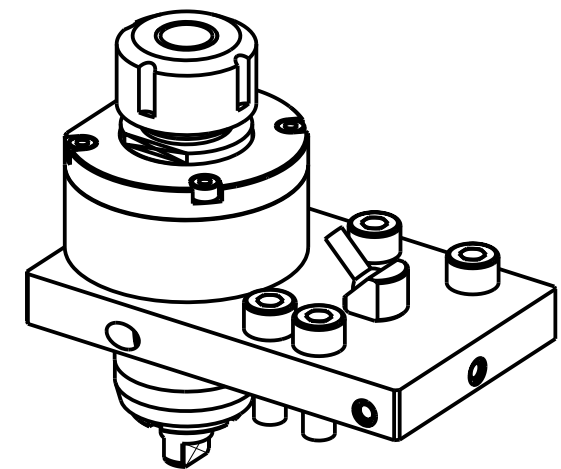


ATTENZIONE - ATTENTION - ACHTUNG

- Per lo smontaggio degli utensili utilizzare sempre la chiave di contrasto come indicato nel manuale d'uso.
- For disassembly of the tools use always the contrast key as mentioned in the user instructions.
- Fuer das Abmontieren der Werkzeuge immer den Gegenschlüssel benutzen wie in der Bedienungsanleitung erwaeht.

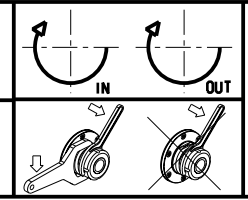


Cod. MT	Cod. CITIZEN	Mandrino Spindle Spindel	I	RPM	Reversibile lato mandrino/contromandrino Reversible sub/main spindle side Umkehrbare Spindel-seite/ Gegenspindel-seite	Lubr.interna Coolant through Innenkuehlung	Lubr.esterna Ext. coolant Aussenkuehlung	A	CHIAVI INCLUSE Keys included Schluesssel inbegriffen	
CTZ0080116	-	ER16	1:1	6000	X	-	X	72	CHSTER16	CHUB27_SP3
CTZ0080120	KSC213	ER20	1:1	6000	X	-	X	73.4	CHSTER20	CHUB27_SP3
CTZ0080220	-	ER20	1:1	6000	X	P=70bar	X	75.4	CHSTER20	CHUB27_SP3
CTZ0081220	-	ER20	1:1	6000	X	P=70bar	X	84.4	CHSTER20	CHUB27_SP3

CITIZEN
MOD: M532

MODULO MOTORIZZATO ASSIALE
Axial driven tool
Axial angetriebenes Werkzeug

Subject to change without notice.



M.T. srl
Via Casino Albini 480
Tel. 0541/956034-957884
Fax 0541/956341
47842 S. GIOVANNI IN M. (RN)
e-mail: mtma@tmarchetti.com
http://www.tmmarchetti.com



CTZ010-2-00