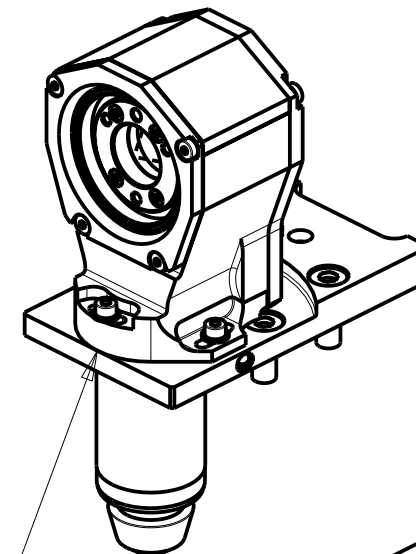
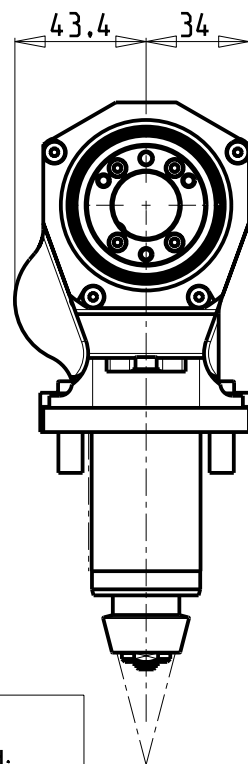
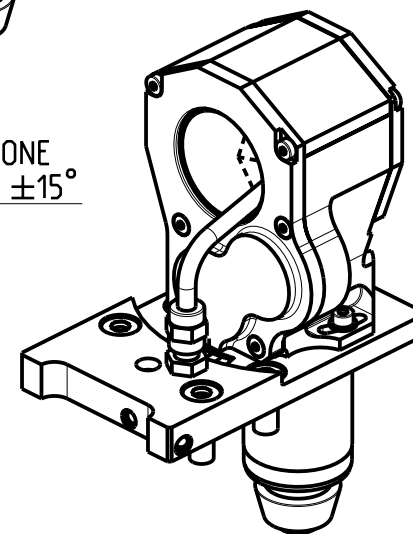


22  
 Piano Inserti  
 Inserts Surface  
 Einsetze Flaechе



INCLINAZIONE  
 REGOLABILE ±15°



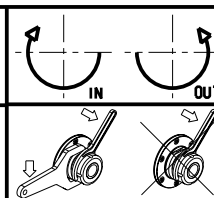
Cod. MT	I	RPM	Lubrificazione est. Ext. coolant Aussenkuehlung
CTZ0040112	2:1	3000	X

Fresa non inclusa:  
 Milling-cutter not included:  
 Fraese nicht inbegriffen:  
 SANDVIK Coromill 325 cod. 325-12AP40-16M

CITIZEN  
 MOD: M20 - M32

MODULO MOTORIZZATO TURBINATORE RIDOTTO I=2:1  
 Driven whirling tool geared-down I=2:1  
 Gewindewirbeleinrichtung untersetzt I=2:1

Subject to change without notice.



**M.T. srl**  
 Via Casino Albini 480  
 Tel. 0541/956034-957884  
 Fax 0541/956341  
 47842 S. GIOVANNI IN M. (RN)  
 e-mail: mtma@mtmarchetti.com  
 http://www.mtmarchetti.com

