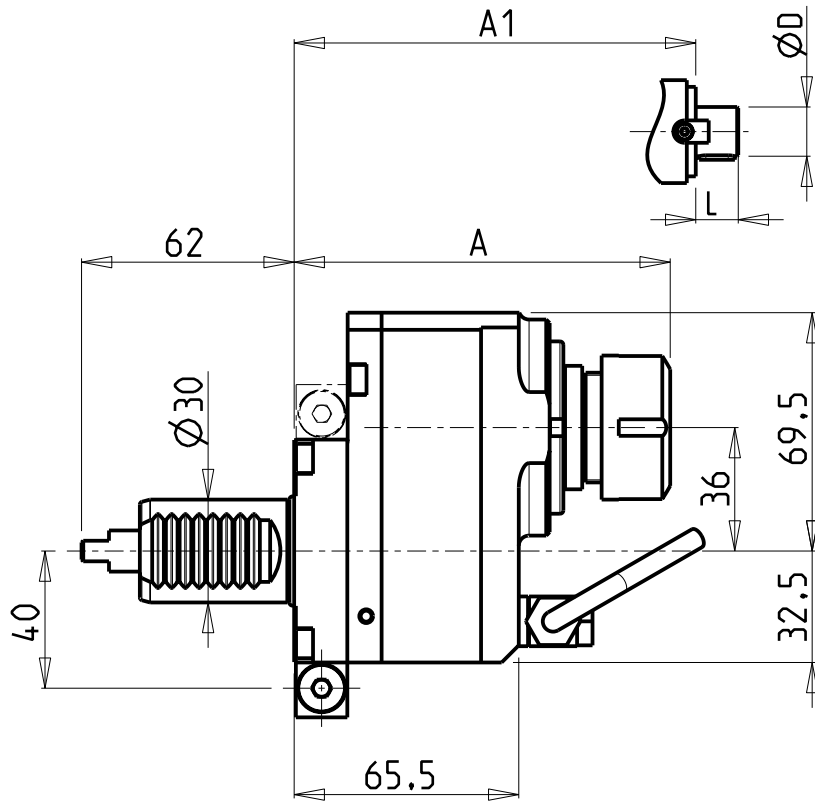


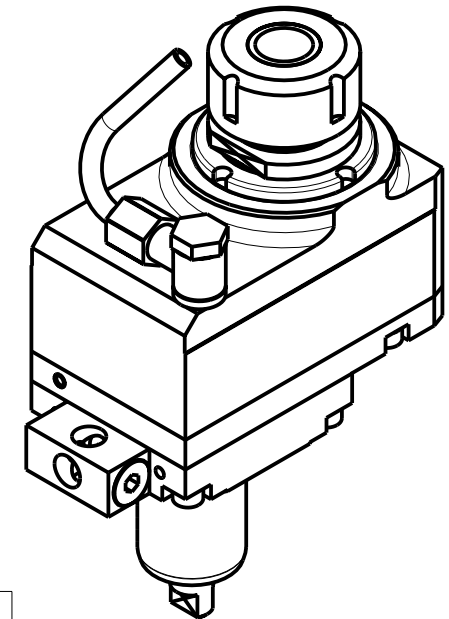
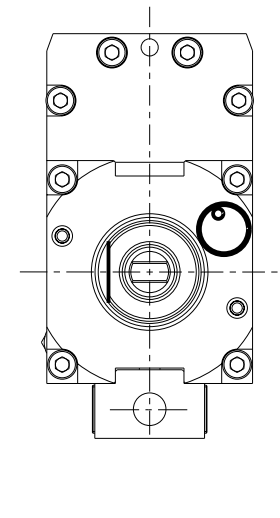
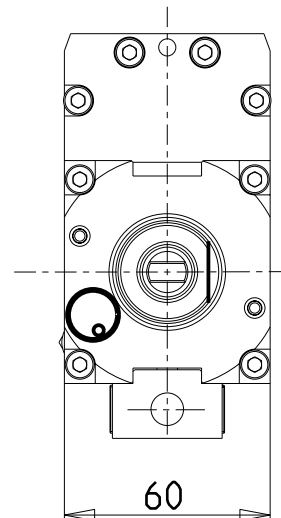
ATTENZIONE - ATTENTION - ACHTUNG

- Per lo smontaggio degli utensili utilizzare sempre la chiave di contrasto come indicato nel manuale d'uso.
- For disassembly of the tools use always the contrast key as mentioned in the user instructions.
- Fuer das Abmontieren der Werkzeuge immer den Gegenschlüssel benutzen wie in der Bedienungsanleitung erwahnt.



versione dx
right version
version rechts

versione sx
left version
version links

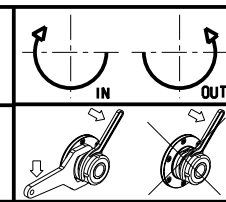


- Chiave inclusa
- Key included
- Schlüssel inbegriffen

Cod. MT		Mandrino Spindle Spindel	I	RPM	Coppia Max Max Torque Max Drehmoment	Lubrificazione est. Ext. coolant Auslenkuehlung	A	A1	ØD	L	CHIAVI NON INCLUDE Keys not included Schlüssel nicht einbegriffen	
versione dx right version version rechts	versione sx left version version links										CHUB36	CHSTER25
DUP0270125	DUP0271125	ER25	1:1	6000	30Nm	X	109.66	-	-	-	CHUB36	CHSTER25
DUP0270522	DUP0271522	Ø22x19	1:1	6000	30Nm	X	-	90.5	22	19	CHUB36	CH_VTCROCE_M10

DIPLOMATIC
VDI 30

MODULO MOTORIZZATO ASSIALE DISASSATO 36mm VDI30
Axial driven tool re-directed by 36mm VDI30
Axial angetriebenes Werkzeug achsversetzt um 36mm VDI30



M.T. srl
Via Casino Albini 480
Tel. 0541/956034-957884
Fax 0541/956341
47842 S. GIOVANNI IN M. (RN)
e-mail: mtma@mtmarchetti.com
http://www.mtmarchetti.com



DUP014-1-05

Subject to change without notice.