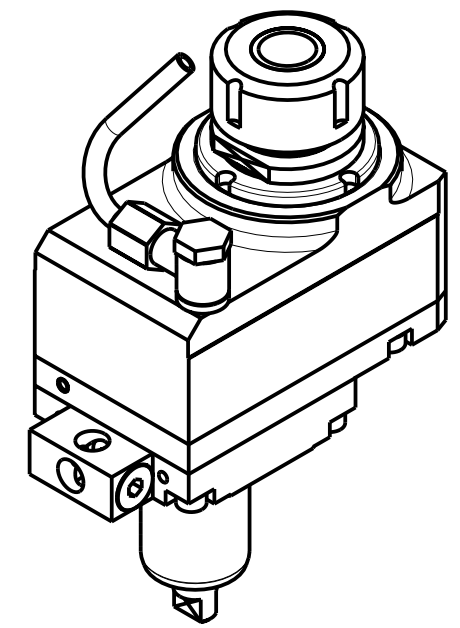
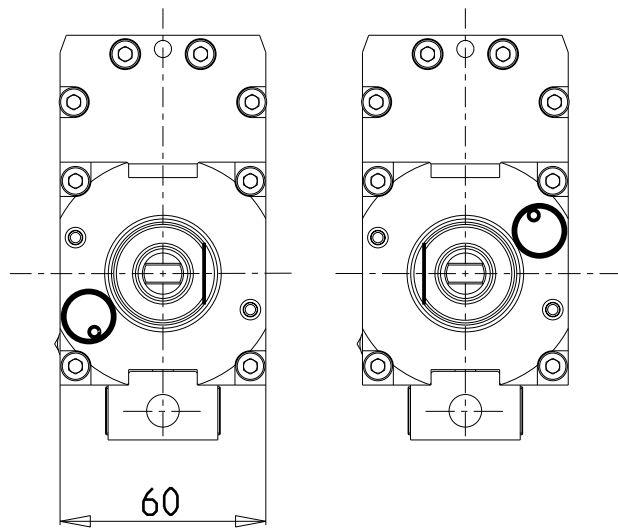


versione dx
right version
version rechts

versione sx
left version
version links



ATTENZIONE - ATTENTION - ACHTUNG

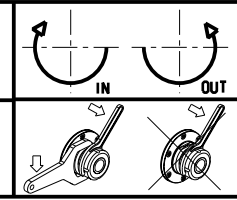
- Per lo smontaggio degli utensili utilizzare sempre la chiave di contrasto come indicato nel manuale d'uso.
- For disassembly of the tools use always the contrast key as mentioned in the user instructions.
- Fuer das Abmontieren der Werkzeuge immer den Gegenschlüssel benutzen wie in der Bedienungsanleitung erwaeht.

| Cod. MT | | Mandrino Spindle Spindel | I | RPM | Coppia Max Max Torque Max Drehmoment | Lubrificazione est. Ext. coolant Aussenkuehlung | CHIAVI NON INCLUDE Keys not included Schluessel nicht einbegriffen | |
|--|--|--------------------------|-----|-------|--------------------------------------|---|--|----------|
| versione dx right version version rechts | versione sx left version version links | | | | | | CHUB36 | CHSTER25 |
| DUP0270225 | DUP0271225 | ER25 | 1:2 | 12000 | 20Nm | X | CHUB36 | CHSTER25 |

DIPLOMATIC
VDI 30

MODULO MOTORIZZATO ASSIALE MOLTIPLICATO I=1:2 DISASSATO 36mm VDI30
Axial geared-up I=1:2 driven tool re-directed by 36mm VDI30
Axial angetriebenes Werkzeug uebersetzt I=1:2 achsversetzt um 36mm VDI30

Subject to change without notice.



M.T. srl
Via Casino Albini 480
Tel. 0541/956034-957884
Fax 0541/956341
47842 S. GIOVANNI IN M. (RN)
e-mail: mtma@mtmarchetti.com
http://www.mtmarchetti.com



DUP014-1-60