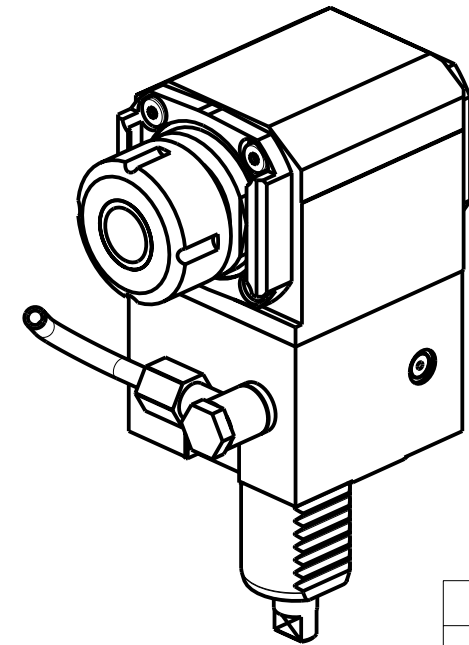
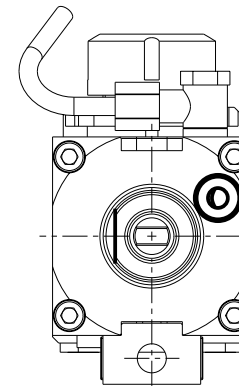
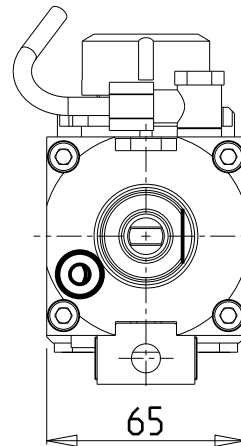


versione dx  
right version  
version rechts

versione sx  
left version  
version links



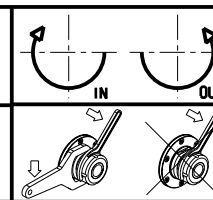
- Chiave inclusa
- Key included
- Schlüssel inbegriffen

Cod. MT		Mandrino Spindel Spindel	I	RPM	Coppia Max Max Torque Max Drehmoment	Lubrificazione int. Coolant through Innenkuehlung	Lubrificazione est. Ext. coolant Aussenkuehlung	ØD	L	A	A1	A2	B	CHIAVI NON INCLUDE Keys not included Schlüssel nicht einbegriffen	
versione dx right version version rechts	versione sx left version version links														
DUP0080125	DUP0081125	ER25	1:1	6000	32Nm	-	X	-	-	66.2	-	-	38	OKU0290009	CHSTER25
DUP0080225	DUP0081225	ER25	1:1	6000	32Nm	P=70bar	X	-	-	66.2	-	-	48	OKU0290009	CHSTER25
DUP0080316	DUP0081316	WELDON16	1:1	6000	32Nm	-	X	-	-	-	-	54.5	38	-	-
DUP0080416	DUP0081416	Ø16x17	1:1	6000	32Nm	-	X	16	17	-	45	-	38	OKU0290009	CH_VTCROCE_M08
DUP0080422	DUP0081422	Ø22x19	1:1	6000	32Nm	-	X	22	19	-	47	-	38	OKU0290009	CH_VTCROCE_M10

DIPLOMATIC  
VDI 30

MODULO MOTORIZZATO RADIALE VDI30 H=85mm  
Radial driven tool VDI30 H=85mm  
Radial angetriebenes Werkzeug VDI30 H=85mm

Subject to change without notice.



**M.T. srl**

Via Casino Albini 480  
Tel. 0541/956034-957884  
Fax 0541/956341  
47842 S. GIOVANNI IN M. (RN)  
e-mail: mtma@mtmarchetti.com  
http://www.mtmarchetti.com



PAGINA DUP015-1-00