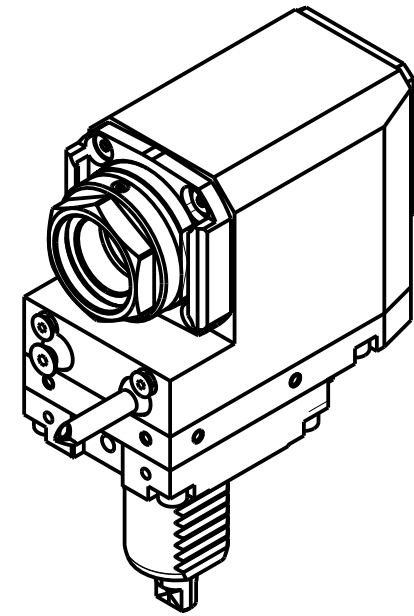
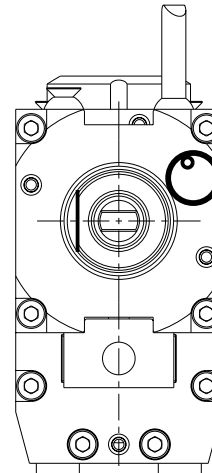
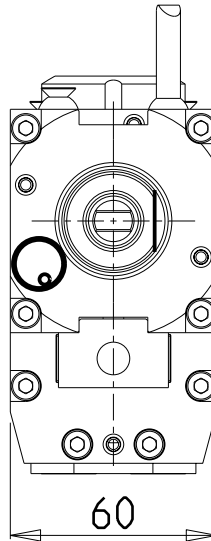


versione dx  
right version  
version rechts

versione sx  
left version  
version links



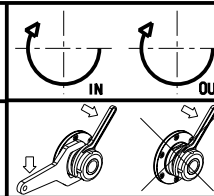
PER PORTAUTENSILI MODULARI MTSK-32 VEDI PAG. TBL300-1-32  
FOR MTSK-32 QUICK CHANGE TOOLHOLDERS CLAMPINGS SEE PAGE TBL300-1-32  
FUER MTSK-32 MODULARE WERKZEUGAUFNAHMEN SIEHE SEITE TBL300-1-32

- Chiave inclusa
- Key included
- Schlüssel inbegriffen

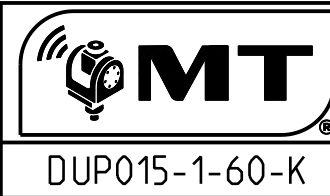
| Cod. MT  |  | Mandrino<br>Spindle<br>Spindel | i   | RPM  | Coppia Max<br>Max Torque<br>Max Drehmoment | Lubrificazione int.<br>Coolant through<br>Innenkuehlung | Lubrificazione est.<br>Ext. coolant<br>Aussenkuehlung | B    | CHIAVI NON INCLUSE<br>Keys not included<br>Schlüssel nicht einbegriffen |            |
|--|--|--------------------------------|-----|------|--|---|---|------|---|------------|
| versione dx<br>right version<br>version rechts | versione sx<br>left version<br>version links |                                |     |      |  |   |   |      | C HUB36   | OKU0290009 |
| DUP0400132                                     | DUP0401132                                   | MTSK-32                        | 1:1 | 6000 | 32Nm                                       | -   | X   | 73.5 | C HUB36   | OKU0290009 |
| DUP0400232                                     | DUP0401232                                   | MTSK-32                        | 1:1 | 6000 | 32Nm                                       | P=70bar   | X   | 83.5 | C HUB36   | OKU0290009 |

DIPLOMATIC  
VDI 30

MODULO MOTORIZZATO RADIALE ARRETRATO MTSK VDI30 H=75mm  
Radial MTSK rear-set driven tool VDI30 H=75mm  
Radial MTSK angetriebenes Werkzeug zurueckversetzt VDI30 H=75mm



**M.T. srl**  
Via Casino Albini 480  
Tel. 0541/956034-957884  
Fax 0541/956341  
47842 S. GIOVANNI IN M. (RN)  
e-mail: mtma@mtmarchetti.com  
http://www.mtmarchetti.com



Subject to change without notice.

03/2024