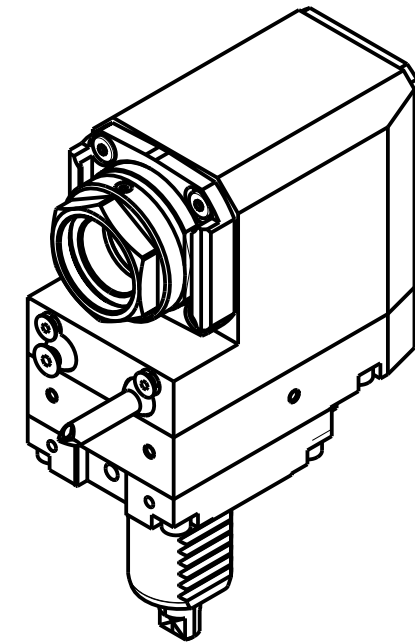
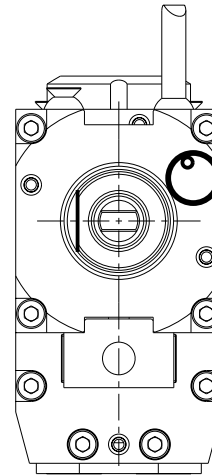
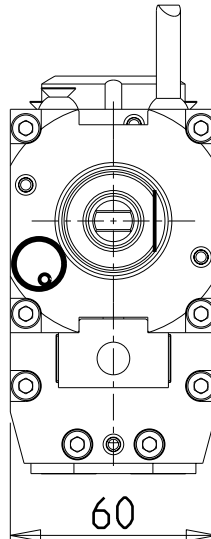


versione dx  
right version  
version rechts

versione sx  
left version  
version links

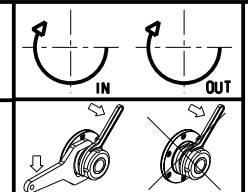


PER PORTAUTENSILI MODULARI MTSK-32 VEDI PAG. TBL300-1-32  
FOR MTSK-32 QUICK CHANGE TOOLHOLDERS CLAMPINGS SEE PAGE TBL300-1-32  
FUER MTSK-32 MODULARE WERKZEUGAUFNAHMEN SIEHE SEITE TBL300-1-32

- Chiave inclusa
- Key included
- Schlüssel inbegriffen

Cod. MT		Mandrino Spindle Spindel	i	RPM	Coppia Max Max Torque Max Drehmoment	Lubrificazione int. Coolant through Innenkuehlung	Lubrificazione est. Ext. coolant Aussenkuehlung	B	CHIAVI NON INCLUSE Keys not included Schlüssel nicht einbegriffen	
versione dx right version version rechts	versione sx left version version links								C HUB36	OKU0290009
DUP0410132	DUP0411132	MTSK-32	1:1	6000	32Nm	-	X	73.5	C HUB36	OKU0290009
DUP0410232	DUP0411232	MTSK-32	1:1	6000	32Nm	P=70bar	X	83.5	C HUB36	OKU0290009

DIPLOMATIC  
VDI 30  
MODULO MOTORIZZATO RADIALE ARRETRATO MTSK VDI30 H=85mm  
Radial MTSK rear-set driven tool VDI30 H=85mm  
Radial MTSK angetriebenes Werkzeug zurueckversetzt VDI30 H=85mm



**M.T. srl**  
Via Casino Albini 480  
Tel. 0541/956034-957884  
Fax 0541/956341  
47842 S. GIOVANNI IN M. (RN)  
e-mail: mtma@mtmarchetti.com  
http://www.mtmarchetti.com



DUP015-1-70-K

Subject to change without notice.