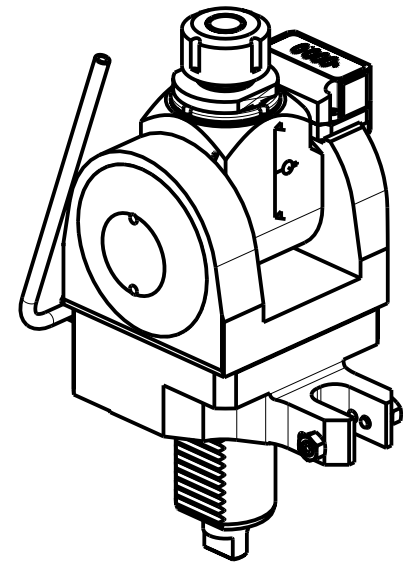
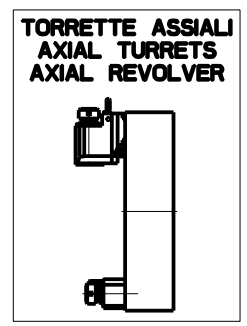
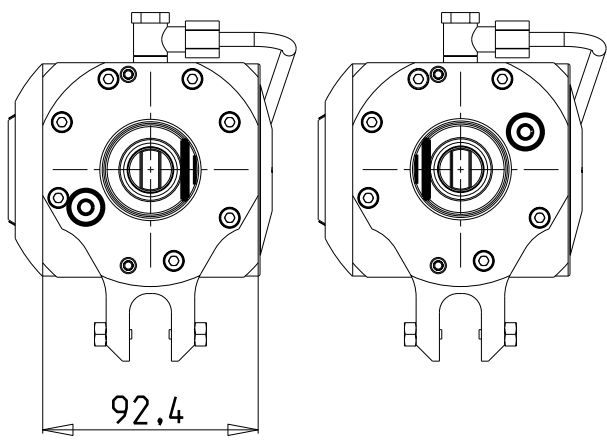


versione dx
right version
version rechts

versione sx
left version
version links

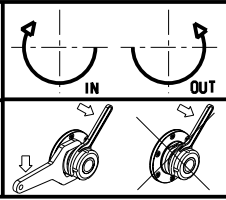


| Cod. MT | | Mandrino Spindel Spindel | I | RPM | Coppia Max Max Torque Max Drehmoment | Lubrificazione est. Ext. coolant Aussenkuehlung | A | A1 | D | L | CHIAVI INCLUSE Keys included Schluesssel einbegriffen | |
|--|--|--------------------------------|-----|------|--|---|-------|----|------|------|---|----------------|
| versione dx right version version rechts | versione sx left version version links | | | | | | | | | | CHUB36 | CHSTER |
| DUP0450120 | DUP0451120 | ER20 | 1:1 | 6000 | 40Nm | X | 85.16 | - | - | - | CHUB36 | CHSTER20 |
| DUP0450125 | DUP0451125 | ER25 | 1:1 | 6000 | 40Nm | X | 86.16 | - | - | - | CHUB36 | CHSTER25 |
| DUP0450516 | DUP0451516 | Ø16x17 | 1:1 | 6000 | 40Nm | X | - | 65 | 16 | 17 | CHUB36 | CH_VTCROCE_M08 |
| DUP0450522 | DUP0451522 | Ø22x19 | 1:1 | 6000 | 40Nm | X | - | 66 | 22 | 19 | CHUB36 | CH_VTCROCE_M10 |
| DUP0450519 | DUP0451519 | Ø3/4"x3/4" | 1:1 | 6000 | 40Nm | X | - | 65 | 3/4" | 3/4" | CHUB36 | CH_VTCROCE_M08 |

DIPLOMATIC
VDI 40

MODULO MOTORIZZATO ORIENTABILE ±90° CON NONIO DIGITALE VDI40
±90° adjustable angle driven tool with digital display VDI40
Angetriebenes Werkzeug schwenkbar ±90° mit digital display VDI40

Subject to change without notice.



M.T. srl
Via Casino Albini 480
Tel. 0541/956034-957884
Fax 0541/956341
47842 S. GIOVANNI IN M. (RN)
e-mail: mtma@mtmarchetti.com
http://www.mtmarchetti.com



DUP333-2-01