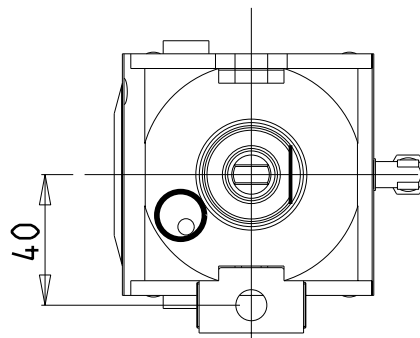
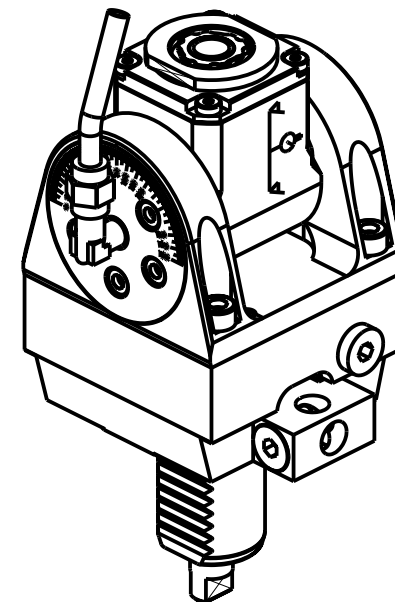
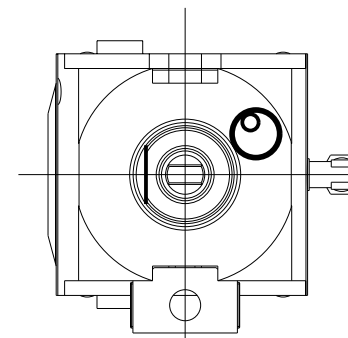


versione dx  
right version  
version rechts



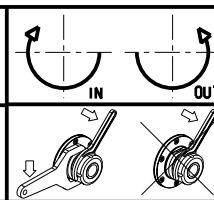
versione sx  
left version  
version links



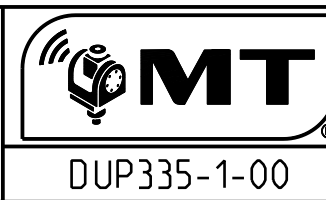
Cod. MT		Mandrino Spindle Spindel	i	RPM	Coppia Max Max Torque Max Drehmoment	Lubrificazione int. Coolant through Innenkuehlung	Lubrificazione est. Ext. coolant Aussenkuehlung	CHIAVI INCLUSE Keys included Schluessel inbegriffen		
versione dx right version version rechts	versione sx left version version links							CHUB19_SP3	CHUB32	CHTAER16ZC
DUP0230116	DUP0231116	ERA16	1:1	6000	20Nm	-	X	CHUB19_SP3	CHUB32	CHTAER16ZC
DUP0230216	DUP0231216	ERA16	1:1	6000	20Nm	P=70bar	X	CHUB19_SP3	CHUB32	CHTAER16ZC

DIPLOMATIC  
VDI 30

MODULO MOTORIZZATO ORIENTABILE ±90° VDI30  
±90° adjustable angle driven tool VDI30  
Angetriebenes Werkzeug schwenkbar ±90° VDI30



**M.T. srl**  
Via Casino Albini 480  
Tel. 0541/956034-957884  
Fax 0541/956341  
47842 S. GIOVANNI IN M. (RN)  
e-mail: mtma@mtmarchetti.com  
http://www.mtmarchetti.com



Subject to change without notice.

03/2024