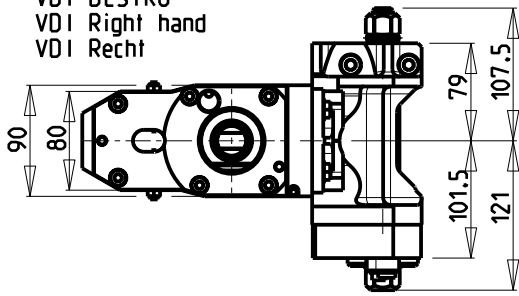
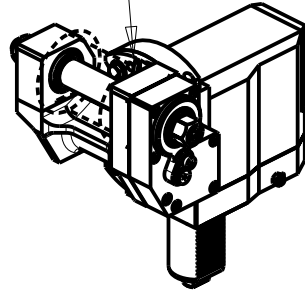


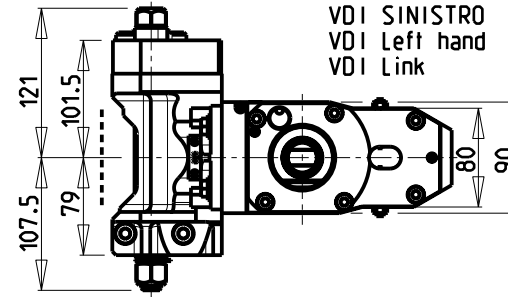
VDI DESTRO  
VDI Right hand  
VDI Recht



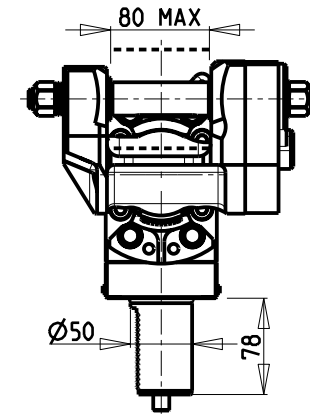
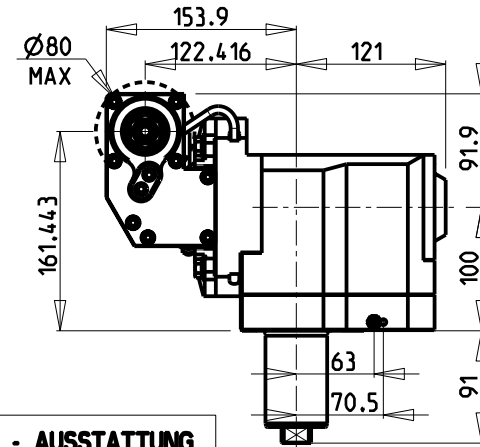
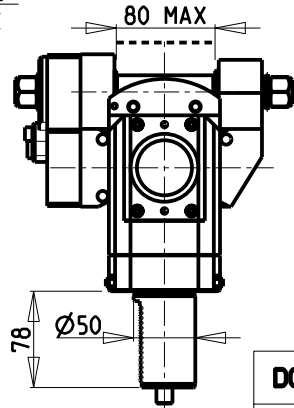
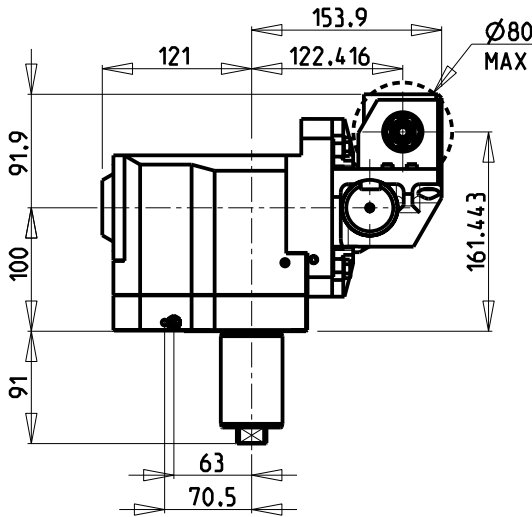
INCLINAZIONE  
REGOLABILE  $\pm 20^\circ$



VDI SINISTRO  
VDI Left hand  
VDI Link



-LA FUNZIONE DI POLIGONATURA/DENTATURA  
DEVE ESSERE INSTALLATA SULLA MACCHINA  
-POLYGON CUTTING/GEAR HOBBING FUNCTION  
MUST BE INSTALLED ON THE MACHINE  
-DIE FUNKTION FÜR POLYGON-BZW. VERZÄHNUNGSFRÄSEN  
MUSS AUF DER MASCHINE FREIGESCHALTET WERDEN



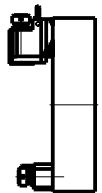
**DOTAZIONI - SUPPLIED WITH - AUSSTATTUNG**

mm / inch

- N°1 ALBERO + DISTANZIALI
- N°1 SHAFT + SPACER
- N°1 DORN + ABSTANDSSTUECK

PER ALBERI E DISTANZIALI VEDI PAG. TBL250-1-00  
FOR SHAFT END SPACER SEE PAGE TBL250-1-00  
FUER DORN UND ABSTANDSSTUECK SEITE TBL250-1-00

**TORRETTE ASSIALI  
AXIAL TURRETS  
AXIAL REVOLVER**



Cod. MT

I

RPM  
max

Coppia Max  
Max Torque  
Max Drehmoment

Lubrificazione est.  
Ext. coolant  
Aussenkuehlung

D  
(mm)

D  
(Inch)

CHIAVI INCLUSE  
Keys included  
Schlüssel inbegriffen

VDI

156DUP_PCR_50A00	1:1	4000	60Nm	X	16-22-27-32	3/4"-1"-1 1/4"	CHUB24	CHUB13	CHESL08	DESTRO - Right - Recht
156DUP_PCR_50A01	2:1	2000	80Nm	X	16-22-27-32	3/4"-1"-1 1/4"	CHUB24	CHUB13	CHESL08	DESTRO - Right - Recht
156DUP_PCR_50A10	1:1	4000	60Nm	X	16-22-27-32	3/4"-1"-1 1/4"	CHUB24	CHUB13	CHESL08	SINISTRO - Left - Link
156DUP_PCR_50A11	2:1	2000	80Nm	X	16-22-27-32	3/4"-1"-1 1/4"	CHUB24	CHUB13	CHESL08	SINISTRO - Left - Link

DIPLOMATIC

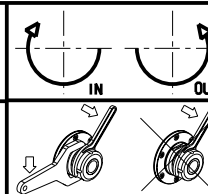
VDI 50

MODULO MOTORIZZATO PORTACREATORE VDI50

Driven gear hobber VDI50

Angetriebenes Zahnradwaelzfraes-Werkzeug VDI50

Subject to change without notice.



**M.T. srl**

Via Casino Albini 480  
Tel. 0541/956034-957884  
Fax 0541/956341  
47842 S. GIOVANNI IN M. (RN)  
e-mail: mtma@tmarchetti.com  
http://www.tmmarchetti.com



DUP340-3-00