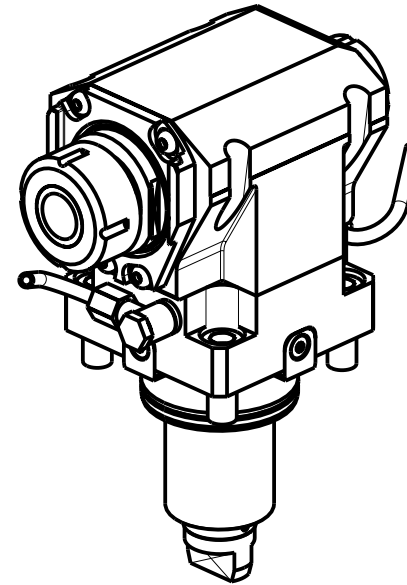
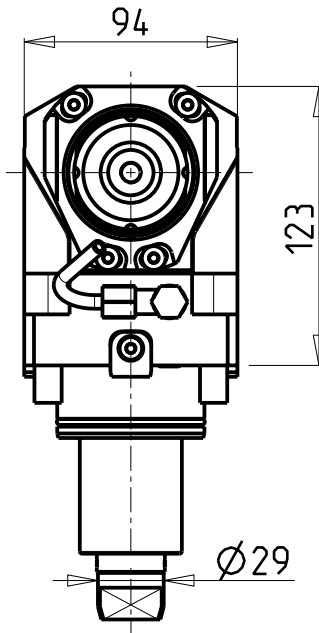
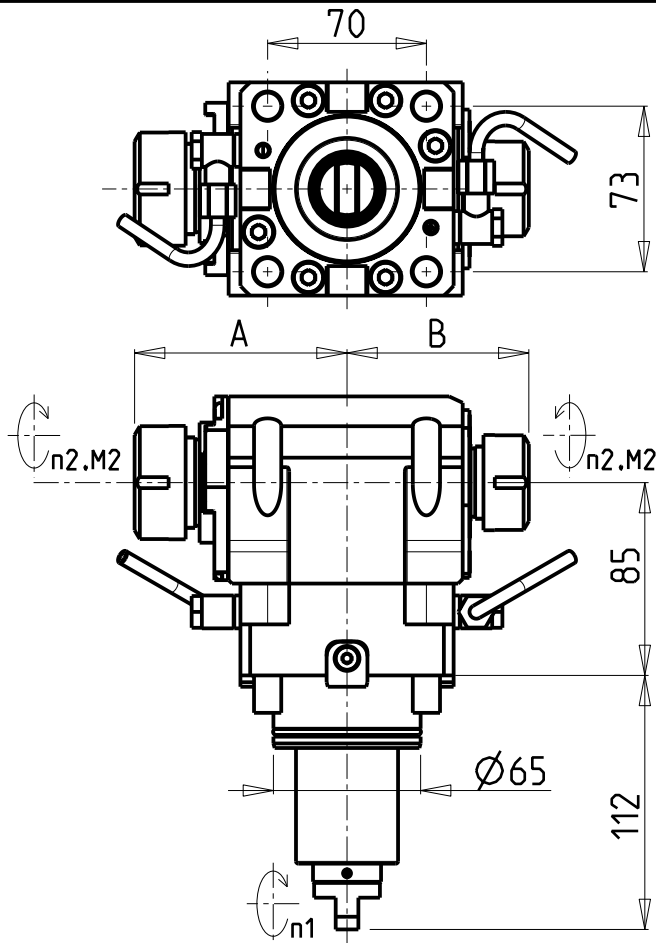


ATTENZIONE - ATTENTION - ACHTUNG

- Per lo smontaggio degli utensili utilizzare sempre la chiave di contrasto come indicato nel manuale d'uso.
- For disassembly of the tools use always the contrast key as mentioned in the user instructions.
- Fuer das Abmontieren der Werkzeuge immer den Gegenschlüssel benutzen wie in der Bedienungsanleitung erwaeht.



- Chiave inclusa
- Key included
- Schlüssel inbegriffen

CHIAVI NON INCLUSE
Keys not included
Schlüssel nicht einbegriffen

Cod. MT	Mandrino Spindle Spindel	I (n1:n2)	RPM max n2	Coppia Max Max Torque Max Drehmoment M2 (Nm)	Reversibile lato mandrino/contromandrino Reversible sub/main spindle side Umkehrbare Spindel-seite/ Gegenspindel-seite	Lubrificazione est. Ext. coolant Aussenkuehlung	A	B					
DW 01150132	ER32+ER25	1:1	6000	100	X	X	93.66	80.16	CHSTER32	CHSTER25	OKU0650004	-	-
DW 01152520	ERA25+ERA20	1:1	6000	100	X	X	65	55.5	CHUB22	CHUB27	OKU0650004	CHTAER20ZC	CHTAER25ZC

DN SOLUTIONS (DOOSAN) BMT 65
 MOD: PUMA 300M/MS - PUMA 2100-2600M/MS/Y/SY (BMT65) - PUMA 3100 M/Y - SMX2600/3100ST
 MODULO MOTORIZZATO ASSIALE BISPORGENTE H=85mm
 Axial opposite face driven tool H=85mm
 Axial angetriebenes Werkzeug halb vorspringend H=85mm

M.T. srl
 Via Casino Albini 480
 Tel. 0541/956034-957884
 Fax 0541/956341
 47842 S. GIOVANNI IN M. (RN)
 e-mail: mtma@mtmarchetti.com
 http://www.mtmarchetti.com

DW 0240-3-15

Subject to change without notice.