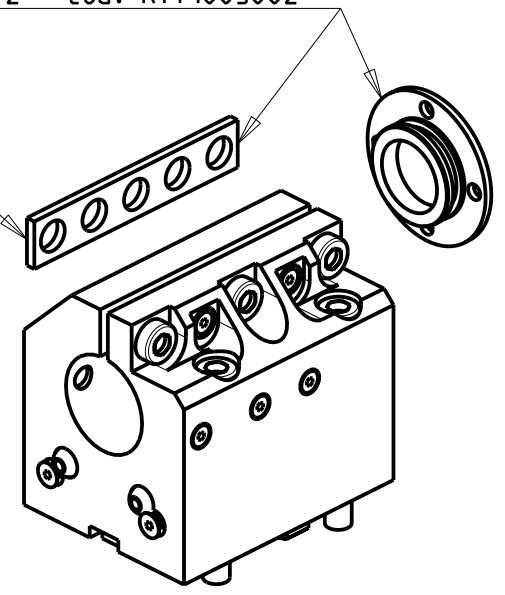


KIT ADDUZIONE INTERNA (OPZIONALE)
 KIT FOR INTERNAL COOLANT (OPTIONAL)
 KIT FUER INTERNE KUEHLMITTELZUFUHR (OPTIONAL)

$\varnothing 25$ cod. KIT1003006
 $\varnothing 1\ 1/2''$ cod. KIT1003004
 $\varnothing 40$ cod. KIT1003003
 $\varnothing 50-\varnothing 2''$ cod. KIT1003002

SOLO GUARNIZIONE (OPZIONALE)
 ONLY SEAL (OPTIONAL)
 NUR DICHTUNG (OPTIONAL)
 cod. 0520013



PER BOCCOLE DI RIDUZIONE VEDI PAG. TBL150-1-00
 FOR REDUCING BUSHINGS SEE PAGE TBL150-1-00
 FÜR REDUZIERBUCHSE SIEHE SEITE TBL150-1-00

Cod. MT	N°Utensili N°Tools N°Werkzeuge	Reversibile lato mandrino/contromandrino Reversible sub/main spindle side Umkehrbare Spindel-seite/ Gegenspindel-seite	Lubrificazione int. opzionale Coolant through optional Innenkuehlung Optional	Lubrificazione est. Ext. coolant Aussenkuehlung	Misure Dimensions Masse	D	A	B	H	H1
0832500	1	X	X	X	mm	25	55	55	33	105
0834000	1	X	X	X	mm	40	64	46	40	112
0833810	1	X	X	X	Inch	1 1/2"	64	46	40	112
0835000	1	X	X	X	mm	50	64	46	46.5	118
0835080	1	X	X	X	Inch	2"	64	46	46.5	118

DN SOLUTIONS (DOOSAN) BMT 65
 MOD: PUMA 300M/MS - V400M - TT2000SY-TT2500SY-TT2500MS - PUMA 2100-2600M/MS/Y/SY (BMT65) - PUMA 3100 M/Y
 MX2000ST - MX2500LT/ST/LST - VT 450M/TM - PUMA GT3100 M - PUMA DNT2100-2600M (BMT65)

PORTAUTENSILE ASSIALE PER BARENO $\varnothing 25/\varnothing 40\text{mm}/\varnothing 1\ 1/2''/\varnothing 50\text{mm}/\varnothing 2''$ H=72mm
 Axial single boring bar holder $\varnothing 25/\varnothing 40\text{mm}/\varnothing 1\ 1/2''/\varnothing 50\text{mm}/\varnothing 2''$ H=72mm
 Axial Bohrhalter $\varnothing 25/\varnothing 40\text{mm}/\varnothing 1\ 1/2''/\varnothing 50\text{mm}/\varnothing 2''$ H=72mm

M.T. srl
 Via Casino Albini 480
 Tel. 0541/956034-957884
 Fax 0541/956341
 47842 S. GIOVANNI IN M. (RN)
 e-mail: mtma@tmarchetti.com
 http://www.mtmarchetti.com



DW 0610-3-20

Subject to change without notice.

03/2025