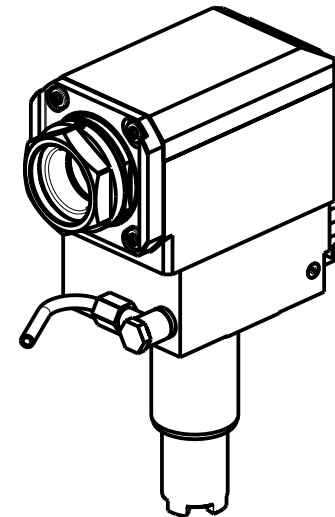
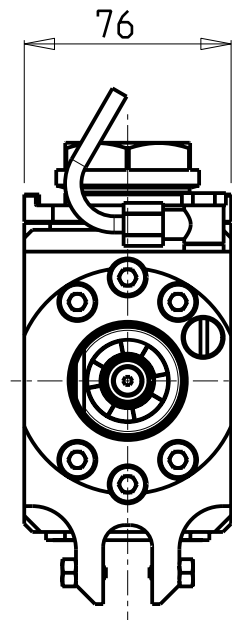
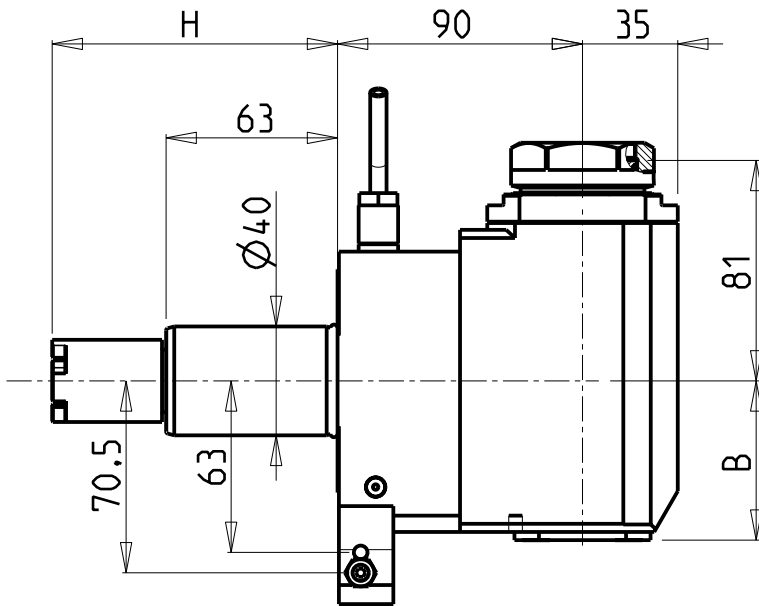


ATTENZIONE - ATTENTION - ACHTUNG

- Per lo smontaggio degli utensili utilizzare sempre la chiave di contrasto come indicato nel manuale d'uso.
- For disassembly of the tools use always the contrast key as mentioned in the user instructions.
- Fuer das Abmontieren der Werkzeuge immer den Gegenschlüssel benutzen wie in der Bedienungsanleitung erwaeht.



- Chiave inclusa
- Key included
- Schlüssel inbegriffen

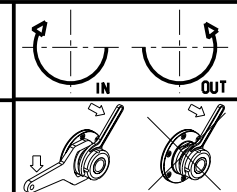
PER PORTAUTENSILI MODULARI MTSK-40 VEDI PAG. TBL300-1-40
 FOR MTSK-40 QUIK CHANGE TOOLHOLDERS CLAMPINGS SEE PAGE TBL300-1-40
 FUER MTSK-40 MODULARE WERKZEUGAUFNAHMEN SIEHE SEITE TBL300-1-40

Cod. MT	Mandrino Spindle Spindel	I	RPM	Coppia Max Max Torque Max Drehmoment	Lubrificazione int. Coolant through Innenkuehlung	Lubrificazione est. Ext. coolant Aussenkuehlung	B	H	Tipo Torretta Turret type Revolver typ	CHIAVI NON INCLUSE Keys not included Schluessel nicht einbegriffen	
HAS0280140	MTSK-40	1:1	6000	70Nm	-	X	58.5	117.55	VDI STANDARD / HYBRID TURRET	CHUB46	OKU0650004 ▪
HAS0280240	MTSK-40	1:1	6000	70Nm	P=70bar	X	69.5	117.55	VDI STANDARD / HYBRID TURRET	CHUB46	OKU0650004 ▪

HAAS
 MOD: ST10/15/20/25/30/35 - DS30 - TL15/25

MODULO MOTORIZZATO RADIALE MTSK VDI40
 Radial MTSK driven tool VDI40
 Radial MTSK angetriebenes Werkzeug VDI40

Subject to change without notice.



M.T. srl
 Via Casino Albini 480
 Tel. 0541/956034-957884
 Fax 0541/956341
 47842 S. GIOVANNI IN M. (RN)
 e-mail: mtma@mtmarchetti.com
 http://www.mtmarchetti.com



HAS013-3-20-K