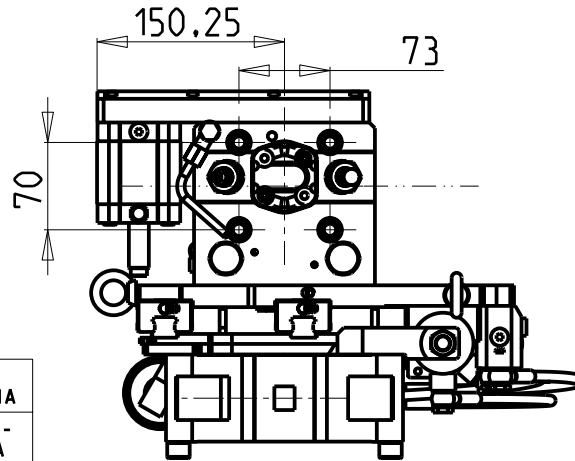
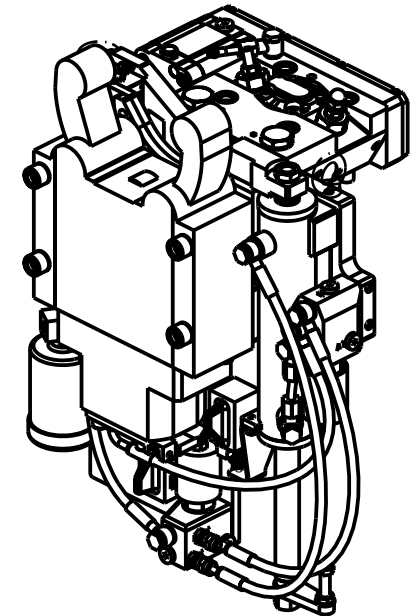


Ø310 MAX
SUBSPINDLE



| | | |
|-------|---|--|
| (()) | # | CON GESTIONE ELETTRONICA APERTURA COMPLETA DELLA LUNETTA |
| | # | With Electronic control of steady rest arms complete opening |
| | # | Mit vollstaendiger elektronischer Oeffnungsbedienung der Luenette |

| Cod. MT | I | RPM | Lubr.esterna Ext. coolant Aussenkuehlung |
|----------------|-----|------|--|
| DW00940300 | 1:1 | 6000 | X |
| # DW00940300EU | 1:1 | 6000 | X |
| # DW00940300US | 1:1 | 6000 | X |

EUROPE - AFRICA -
MIDDLE EAST - NORTH ASIA

USA - CANADA - MEXICO -
AUSTRALIA - SOUTH ASIA

HW ACHEON

MOD: T2

MODULO MOTORIZZATO PER LUNETTA RETRATTILE (TAGLIA 2)

Driven toolholder for sliding steady rest (Size 2)

Luenettenwerkzeug zurueck versetzte Version (Grossse 2)

Subject to change without notice.

M.T. srl

Via Casino Albini 480
Tel. 0541/956034-957884
Fax 0541/956341
47842 S. GIOVANNI IN M. (RN)
e-mail: mtma@mtmarchetti.com
http://www.mtmarchetti.com



PAGINA HWC363-2-00

09/2023