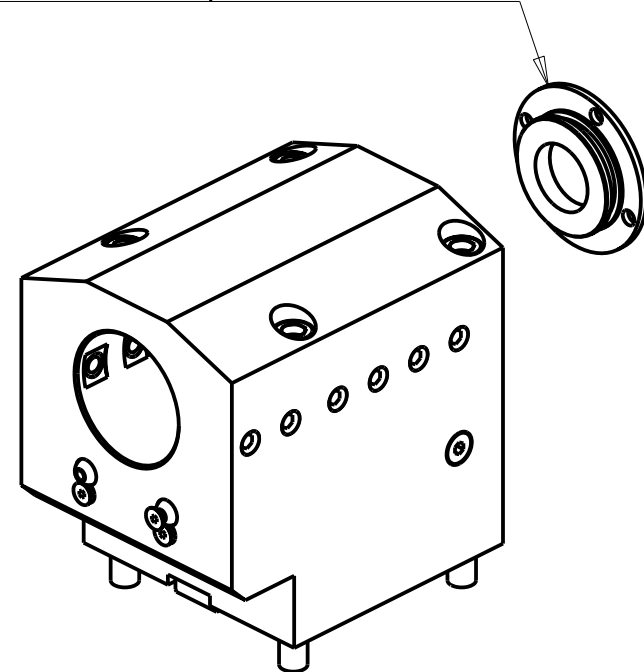


KIT ADDUZIONE INTERNA (OPZIONALE)
 KIT FOR INTERNAL COOLANT (OPTIONAL)
 KIT FUER INTERNE KUEHLMITTELZUFUHR (OPTIONAL)
 Ø60 cod. KIT1000025



Cod. MT	N°Utensili N°Tools N°Werkzeuge	Lubrificazione int. opzionale Coolant through optional Innenkuehlung Optional	Lubrificazione est. Ext. coolant Aussenkuehlung	Misure Dimensions Masse	D
DW03746000	1	X	X	mm	60

HW ACHEON
 VT950/1150 - HI-TECH 750 - HI-TECH 850
 PORTAUTENSILE ASSIALE PER BARENO Ø60mm H=110mm
 Axial single boring bar holder Ø60mm H=110mm
 Axial Bohrhalter Ø60mm H=110mm

M.T. srl
 Via Casino Albini 480
 Tel. 0541/956034-957884
 Fax 0541/956341
 47842 S. GIOVANNI IN M. (RN)
 e-mail: mtma@mtmarchetti.com
 http://www.mtmarchetti.com



PAGINA HWC600-4-10

Subject to change without notice.

09/2023