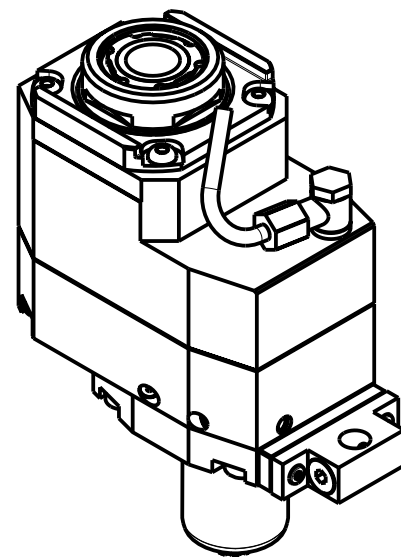
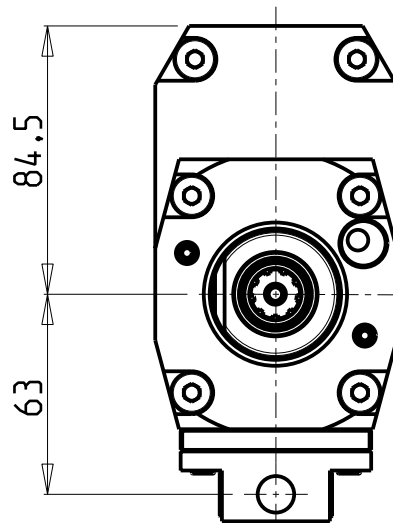


versione sx
left version
version links



DIN 5482

- Chiave inclusa
- Key included
- Schluessel inbegriffen

Cod. MT	Mandrino Spindle Spindel	I	RPM	Coppia Max Max Torque Max Drehmoment	Lubrificazione int. Coolant Through Innenkuehlung	Lubrificazione est. Ext. coolant AusSENkuehlung	CHIAVI NON INCLUSE Keys not included Schluessel nicht einbegriffen		
SAU0447132	ERA32	1:2	8000	45Nm	-	X	CHUB30	CHTAER32ZC *	OKU0650004 *
SAU0447232	ERA32	1:2	8000	45Nm	P=70bar	X	CHUB30	CHTAER32ZC *	OKU0650004 *

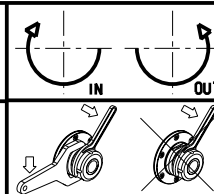
HYUNDAI-W IA (KIA)

MOD: SKT15LM/LMS - L150LMSA - SKT21LM/LMS - L210LMSA

MODULO MOTORIZZATO ASSIALE MOLTIPLICATO I=1:2 DISASSATO 42mm VD140

Axial geared-up I=1:2 driven tool re-directed by 42mm VD140

Axial angetriebenes Werkzeug uebersetzt I=1:2 achsversetzt um 42mm VD140



M.T. srl

Via Casino Albini 480
Tel. 0541/956034-957884
Fax 0541/956341

47842 S. GIOVANNI IN M. (RN)
e-mail: mtma@mtmarchetti.com
http://www.mtmarchetti.com



KIA014-1-60

Subject to change without notice.

03/2024