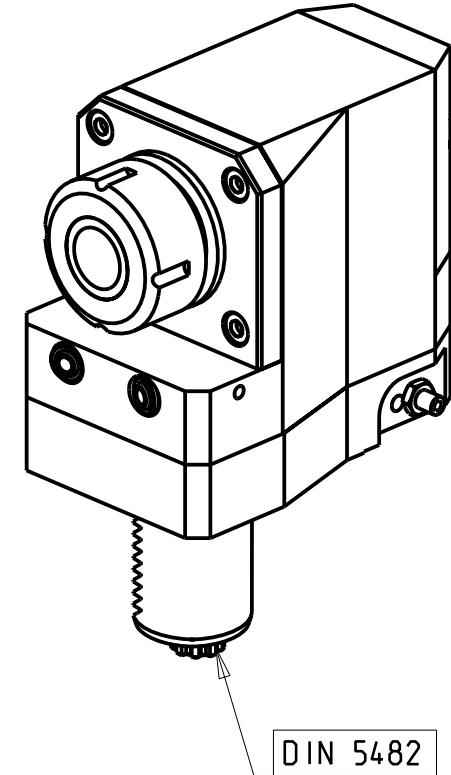
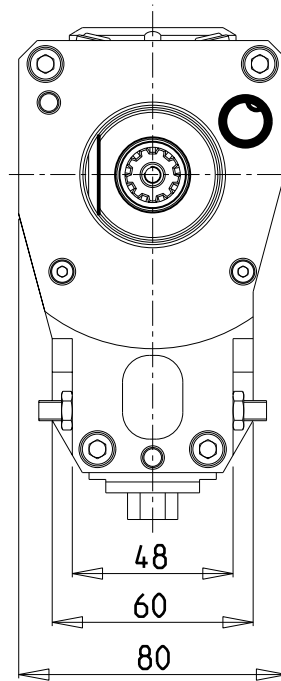


versione sx  
left version  
version links



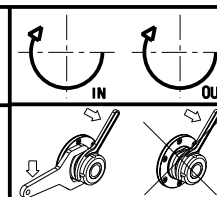
DIN 5482

Cod. MT	Mandrino Spindle Spindel	I	RPM	Coppia Max Max Torque Max Drehmoment	Lubrificazione est. Ext. coolant Aussehenkuehlung	CHIAVI NON INCLUSE Keys not included Schluessel nicht einbegriffen	
201SAU_R32_40D20	ER32	1:1	4000	70Nm	X	CHUB13	CHSTER32

HYUNDAI-W IA (KIA)  
MOD: SKT15LM/LMS - L150LMSA - SKT21LM/LMS - L210LMSA

MODULO MOTORIZZATO RADIALE ARRETRATO VDI40 DIN 5482  
Radial rear-set driven tool VDI40 DIN 5482  
Radial angetriebenes Werkzeug zurueckversetzt VDI40 DIN 5482

Subject to change without notice.



**M.T. srl**  
Via Casino Albini 480  
Tel. 0541/956034-957884  
Fax 0541/956341  
47842 S. GIOVANNI IN M. (RN)  
e-mail: mtma@mtmarchetti.com  
http://www.mtmarchetti.com



KIA015-1-60