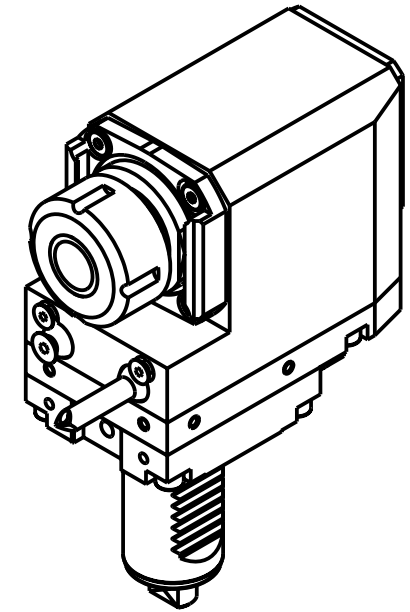
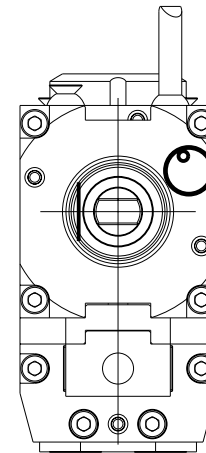
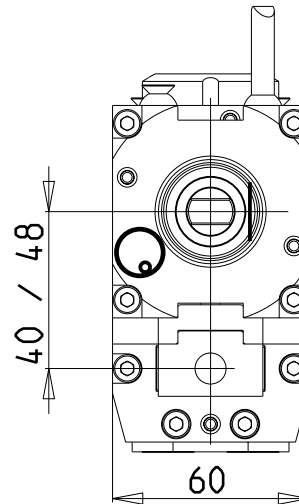


versione dx
right version
version rechts

versione sx
left version
version links



• Chiave inclusa

• Key included

• Schlüssel inbegriffen

Cod. MT		Mandrino Spindle Spindel	I	RPM	Coppia Max Max Torque Max Drehmoment	Lubrificazione int. Coolant through Innenkuehlung	Lubrificazione est. Ext. coolant Aussenkuehlung	A1	A2	B	CHIAVI NON INCLUSE Keys not included Schlüssel nicht einbegriffen		
versione dx right version version rechts	versione sx left version version links												
KIA0030120	KIA0031120	ER20	1:1	6000	32Nm	-	X	41.16	-	73.5	-	CHSTER20	OKU0290009
KIA0030220	KIA0031220	ER20	1:1	6000	32Nm	P=70bar	X	41.16	-	83.5	-	CHSTER20	OKU0290009
KIA0030320	KIA0031320	ERA20	1:1	6000	32Nm	-	X	24.5	-	73.5	CHUB22	CHTAER20ZC	OKU0290009
KIA0030420	KIA0031420	ERA20	1:1	6000	32Nm	P=70bar	X	24.5	-	83.5	CHUB22	CHTAER20ZC	OKU0290009
KIA0030125	KIA0031125	ER25	1:1	6000	32Nm	-	X	42.16	-	73.5	-	CHSTER25	OKU0290009
KIA0030225	KIA0031225	ER25	1:1	6000	32Nm	P=70bar	X	42.16	-	83.5	-	CHSTER25	OKU0290009
KIA0030325	KIA0031325	ERA25	1:1	6000	32Nm	-	X	28.5	-	73.5	CHUB27	CHTAER25ZC	OKU0290009
KIA0030425	KIA0031425	ERA25	1:1	6000	32Nm	P=70bar	X	28.5	-	83.5	CHUB27	CHTAER25ZC	OKU0290009
KIA0030516	KIA0031516	WELDON16	1:1	6000	32Nm	-	X	-	27.5	73.5	-	-	-

HYUNDAI-W IA (KIA)

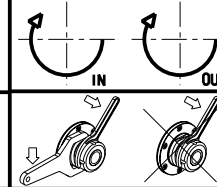
MOD: E160LM - E200M - SKT100M - SKT160LM

MODULO MOTORIZZATO RADIALE ARRETRATO VD130 H=75mm

Radial rear-set driven tool VD130 H=75mm

Radial angetriebenes Werkzeug zurueckversetzt VD130 H=75mm

Subject to change without notice.



M.T. srl

Via Casino Albini 480

Tel. 0541/956034-957884

Fax 0541/956341

47842 S. GIOVANNI IN M. (RN)

e-mail: mtma@mtmarchetti.com

http://www.mtmarchetti.com



KIA015-6-60