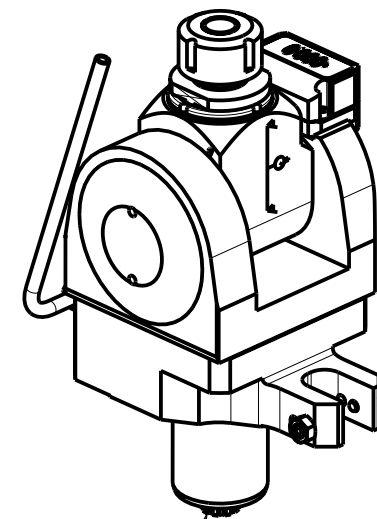
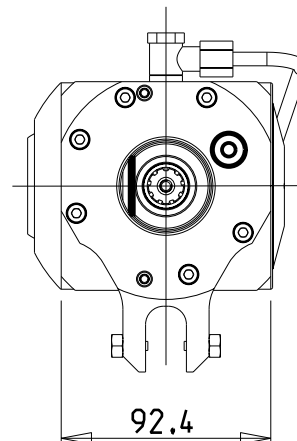


versione sx  
left version  
version links



DIN 5482

Cod. MT	Mandrino Spindle	I	RPM	Coppia Max Max Torque Max Drehmoment	Lubrificazione est. Ext. coolant Aussenkuehlung	A	A1	D	L	CHIAVI INCLUDE Keys included Schluessel einbegriffen	
SAU0771120	ER20	1:1	4000	40Nm	X	85.16	-	-	-	CHUB36	CHSTER20
SAU0771125	ER25	1:1	4000	40Nm	X	86.16	-	-	-	CHUB36	CHSTER25
SAU0771516	Ø16x17	1:1	4000	40Nm	X	-	65	16	17	CHUB36	CH_VTCROCE_M08
SAU0771522	Ø22x19	1:1	4000	40Nm	X	-	66	22	19	CHUB36	CH_VTCROCE_M10
SAU0771519	Ø3/4"x3/4"	1:1	4000	40Nm	X	-	65	3/4"	3/4"	CHUB36	CH_VTCROCE_M08

HYUNDAI-W IA (KIA)

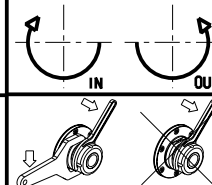
MOD: SKT15LM/LMS - L150LMSA - SKT21LM/LMS - L210LMSA

MODULO MOTORIZZATO ORIENTABILE ±90° CON NONIO DIGITALE VD140 DIN 5482

±90° adjustable angle driven tool with digital display VD140 DIN 5482

Angetriebenes Werkzeug schwenkbar ±90° mit digital display VD140 DIN 5482

Subject to change without notice.



**M.T. srl**

Via Casino Albini 480  
Tel. 0541/956034-957884  
Fax 0541/956341

47842 S. GIOVANNI IN M. (RN)  
e-mail: mtma@mtmarchetti.com  
http://www.mtmarchetti.com



KIA016-1-61