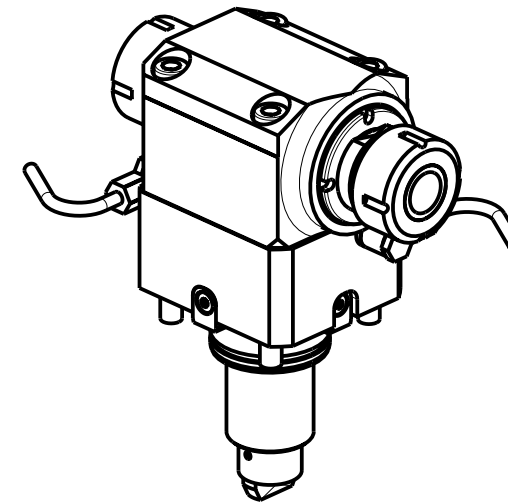
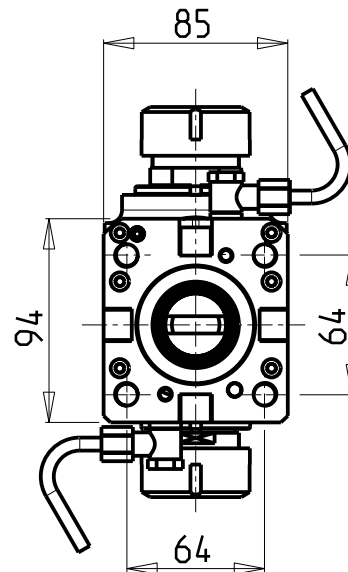
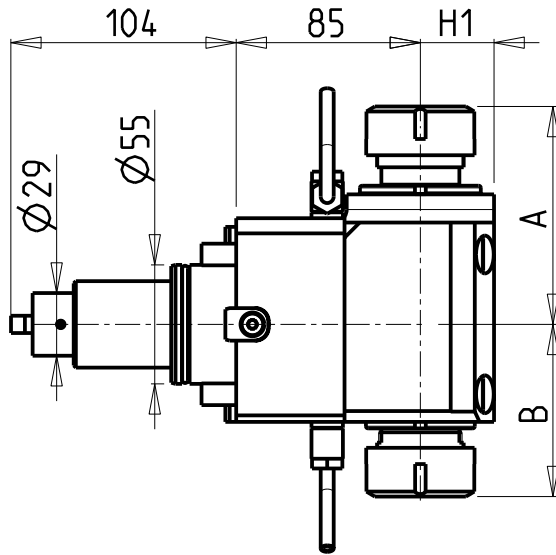


ATTENZIONE - ATTENTION - ACHTUNG

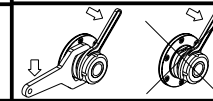
- Per lo smontaggio degli utensili utilizzare sempre la chiave di contrasto come indicato nel manuale d'uso.
- For disassembly of the tools use always the contrast key as mentioned in the user instructions.
- Fuer das Abmontieren der Werkzeuge immer den Gegenschlüssel benutzen wie in der Bedienungsanleitung erwaeht.



| Cod. MT | Mandrino Spindle Spindel | I | RPM | Coppia Max Max Torque Max Drehmoment | Reversibile lato mandrino/contromandrino Reversible sub/main spindle side Umkehrbare Spindel-seite/ Gegenspindel-seite | Lubrificazione est. Ext. coolant Aussenkuehlung | A | B | H1 | CHIAVI NON INCLUSE Keys not included Schlüssel nicht einbegriffen | |
|-------------|--------------------------------|-----|------|--|---|---|--------|-------|----|---|------------------|
| DW 00080232 | ER32+ER32 | 1:1 | 6000 | 50Nm | X | X | 100.56 | 78.96 | 34 | CHSTER32 | CHUB36 o 0100000 |
| DW 00080225 | ER25+ER25 | 1:1 | 6000 | 50Nm | X | X | 93.36 | 73.46 | 34 | CHSTER25 | CHUB36+CHUB29 |

HYUNDAI-WIA (KIA)
 MOD: SKT160TTMS/TTSY - LM1600TTMS/TTSY - SKT180TTMS/TTSY - LM1800TTMS/TTSY - L160/230LMSA - SE2600M
 HD2200-2600M/Y/SY (BMT55)

MODULO MOTORIZZATO ASSIALE BISPORGENTE H=85mm
 Axial opposite face twin driven tool H=85mm
 Axial angetriebenes Werkzeug halb vorspringend H=85mm



M.T. srl
 Via Casino Albini 480
 Tel. 0541/956034-957884
 Fax 0541/956341
 47842 S. GIOVANNI IN M. (RN)
 e-mail: mtma@mtmarchetti.com
 http://www.mtmarchetti.com



KIA240-2-10