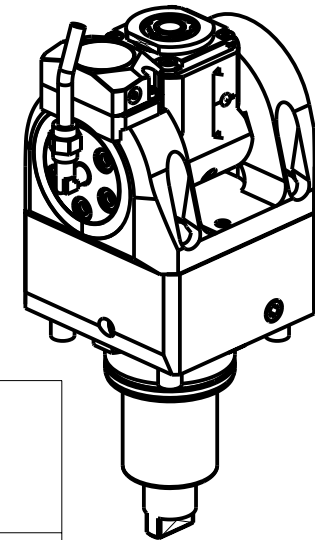


**ATTENZIONE - ATTENTION - ACHTUNG**

- Per lo smontaggio degli utensili utilizzare sempre la chiave di contrasto come indicato nel manuale d'uso.
- For disassembly of the tools use always the contrast key as mentioned in the user instructions.
- Fuer das Abmontieren der Werkzeuge immer den Gegenschlüssel benutzen wie in der Bedienungsanleitung erwäohnt.

**ATTENZIONE - ATTENTION - ACHTUNG**

- VERIFICARE LE MISURE DI INGOMBRO PER POSSIBILE INTERFERENZA SU ALCUNI MODELLI DI MACCHINE
- Please check the overall sizes for possible interferences on some machine models
- Bitte überprüfen sie das ausmass um mögliche interferenzen auf einigen maschinen modellen zu vermeiden

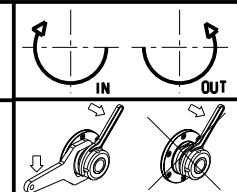


| Cod. MT    | Mandrino Spindle Spindel | I   | RPM   | Coppia Max Max Torque Max Drehmoment | Reversibile lato mandrino/contromandrino Reversible sub/main spindle side Umkehrbare Spindel-seite/ Gegenspindel-seite | Lubrificazione int. Coolant through Innenkuehlung | Lubrificazione est. Ext. coolant Aussenkuehlung | CHIAVI INCLUSE Keys included Schluessel inbegriffen |        |            |         |
|------------|--------------------------|-----|-------|--------------------------------------|--|---|---|---|--------|------------|---------|
|            |                          |     |       |                                      |  |   |   | CHUB19_SP3  | CHUB32 | CHTAER16ZC | CHESL08 |
| DW00666316 | ERA16                    | 1:2 | 12000 | 8Nm                                  | X  | -   | X   | CHUB19_SP3  | CHUB32 | CHTAER16ZC | CHESL08 |
| DW00666416 | ERA16                    | 1:2 | 12000 | 8Nm                                  | X  | P=70bar   | X   | CHUB19_SP3  | CHUB32 | CHTAER16ZC | CHESL08 |

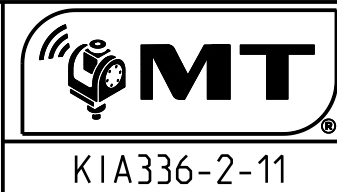
**HYUNDAI-WIA (KIA)**  
 MOD: SKT160TTMS/TTSY - LM1600TTMS/TTSY - SKT180TTMS/TTSY - LM1800TTMS/TTSY - L160/230LMSA  
 HD2200-2600M/Y/SY (BMT55)

MODULO MOTORIZZATO ORIENTABILE +/-90° MOLTIPLICATO I=1:2 CON NONIO DIGITALE H=83mm  
 +/-90° adjustable angle driven tool geared-up I=1:2 with digital display H=83mm  
 Angetriebenes Werkzeug schwenkbar +/-90° uebersetzt I=1:2 mit digital display H=83mm

Subject to change without notice.



**M.T. srl**  
 Via Casino Albini 480  
 Tel. 0541/956034-957884  
 Fax 0541/956341  
 47842 S. GIOVANNI IN M. (RN)  
 e-mail: mtma@mtmarchetti.com  
 http://www.mtmarchetti.com



KIA336-2-11