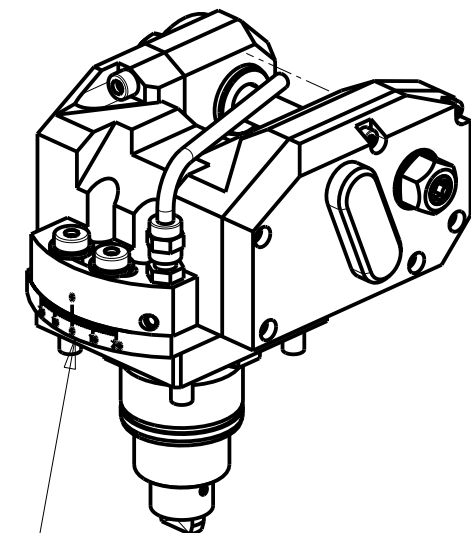


-LA FUNZIONE DI POLIGONATURA/DENTATURA
 DEVE ESSERE INSTALLATA SULLA MACCHINA
 -POLYGON CUTTING/GEAR HOBBING FUNCTION
 MUST BE INSTALLED ON THE MACHINE
 -DIE FUNKTION FÜR POLYGON-BZW. VERZÄHNUNGSFRÄSEN
 MUSS AUF DER MASCHINE FREIGESCHALTET WERDEN



INCLINAZIONE
 REGOLABILE ±20°

| Cod. MT | i | RPM max | Coppia Max Max Torque Max Drehmoment | Lubrificazione est. Ext. coolant Aussenkuehlung | D | CHIAVI INCLUSE Keys included Schlüssel inbegriffen | | | | |
|-------------|-----|------------|--|---|------|--|---------|---------|---------|--------|
| DW 01611116 | 1:1 | 6000 | 30Nm | X | 16 | CHUB19 | CHESL06 | CHESL05 | - | - |
| DW 01611113 | 1:1 | 6000 | 30Nm | X | 13 | CHUB19 | CHESL06 | CHESL05 | - | - |
| DW 01611110 | 1:1 | 6000 | 30Nm | X | 10 | CHUB19 | CHESL06 | CHESL05 | - | CHUB17 |
| DW 01611108 | 1:1 | 6000 | 30Nm | X | 8 | CHUB19 | CHESL06 | CHESL05 | CHESL04 | CHUB13 |
| DW 01611155 | 1:1 | 6000 | 30Nm | X | 1/2" | CHUB19 | CHESL06 | CHESL05 | - | - |
| DW 01612116 | 2:1 | 3000 | 50Nm | X | 16 | CHUB19 | CHESL06 | CHESL05 | - | - |
| DW 01612113 | 2:1 | 3000 | 50Nm | X | 13 | CHUB19 | CHESL06 | CHESL05 | - | - |
| DW 01612110 | 2:1 | 3000 | 50Nm | X | 10 | CHUB19 | CHESL06 | CHESL05 | - | CHUB17 |
| DW 01612108 | 2:1 | 3000 | 50Nm | X | 8 | CHUB19 | CHESL06 | CHESL05 | CHESL04 | CHUB13 |
| DW 01612155 | 2:1 | 3000 | 50Nm | X | 1/2" | CHUB19 | CHESL06 | CHESL05 | - | - |

HYUNDAI-W IA (KIA)

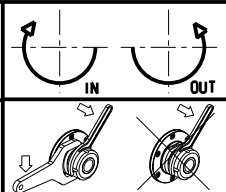
MOD: SE2200 M/LM/LMS/MA/LMA/LMSA/LMC/LMSC/Y/LY/LSY/YA/LYA/LSYA

MODULO MOTORIZZATO PORTACREATORE

Driven gear hobber

Angetriebenes Zahnradwaeltzraes-Werkzeug

Subject to change without notice.



M.T. srl

Via Casino Albini 480
 Tel. 0541/956034-957884
 Fax 0541/956341
 47842 S. GIOVANNI IN M. (RN)
 e-mail: mtma@tmarchetti.com
 http://www.tmmarchetti.com



KIA340-7-20