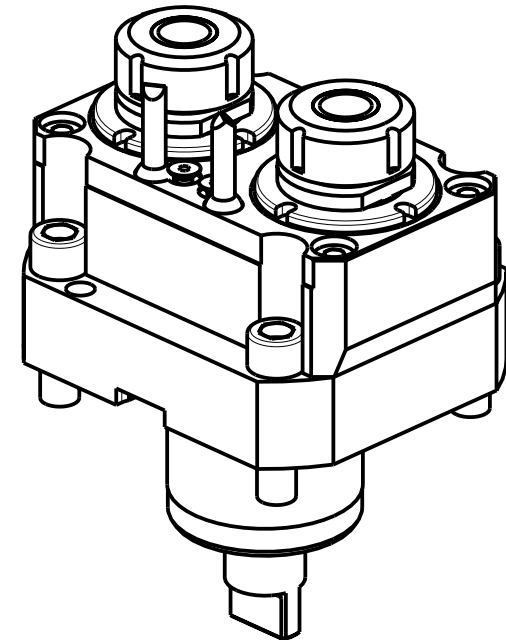
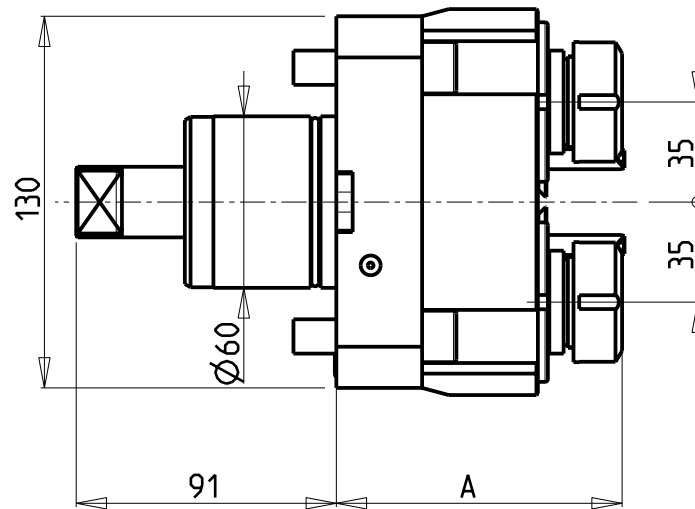
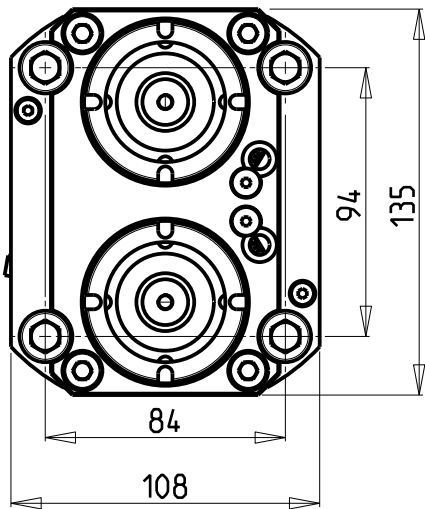


ATTENZIONE - ATTENTION - ACHTUNG

- Per lo smontaggio degli utensili utilizzare sempre la chiave di contrasto come indicato nel manuale d'uso.
- For disassembly of the tools use always the contrast key as mentioned in the user instructions.
- Fuer das Abmontieren der Werkzeuge immer den Gegenschlüssel benutzen wie in der Bedienungsanleitung erwaeht.



| Cod. MT | Mandrino Spindle Spindel | I | RPM | Coppia Max Max Torque Max Drehmoment | Lubrificazione int. Coolant through Innenkuehlung | Lubrificazione est. Ext. coolant Aussenkuehlung | A | CHIAVI NON INCLUSE Keys not included Schlüssel nicht einbegriffen | | |
|------------|--------------------------|-----|------|--------------------------------------|---|---|--------|---|----------|--------------|
| MNL0420225 | ER25 | 1:1 | 6000 | 40Nm | - | X | 99.96 | CHUB36 | CHSTER25 | - |
| MNL0421225 | ER25 | 1:1 | 6000 | 40Nm | P=70bar | X | 115.2 | CHUB36 | CHSTER25 | - |
| MNL0420325 | ERA25 | 1:1 | 6000 | 40Nm | - | X | 88.5 | CHUB38 | CHUB27 | CHTAER25ZC • |
| MNL0421325 | ERA25 | 1:1 | 6000 | 40Nm | P=70bar | X | 108.53 | CHUB38 | CHUB27 | - |

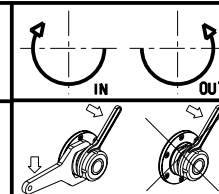
| |
|-------------------------|
| • Chiave inclusa |
| • Key included |
| • Schlüssel inbegriffen |

DMG-MORI

NL1500/2000/2500/3000 12 ST. - NLX1500/2000/2500/3000 12 ST. - NLX2500 2ND GEN. 12ST. - NLX4000 - NZL2000/2500 NZX2500 (BMT60) - NT4200/4250/4300/5400 - NTX2000/2500/3000 2ND GEN. 10ST. - CTX2500 (BMT60)

MODULO MOTORIZZATO RADIALE 2 USCITE IN Z
Radial single side twin head driven tool in Z
Radial angetriebenes Werkzeug 2 Ausgaenge in Z

Subject to change without notice.



M.T. srl

Via Casino Albini 480
Tel. 0541/956034-957884
Fax 0541/956341
47842 S. GIOVANNI IN M. (RN)
e-mail: mtma@mtmarchetti.com
http://www.mtmarchetti.com



MNL090-1-00