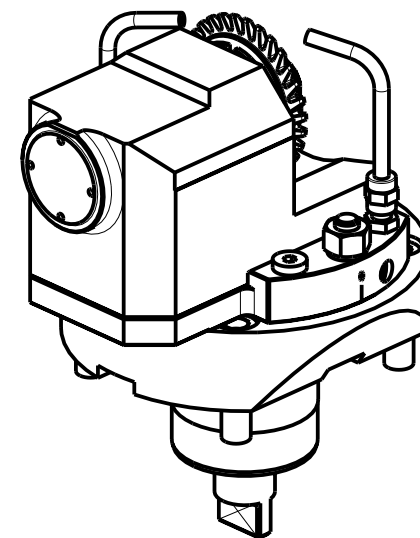


INCLINAZIONE  
REGOLABILE  $\pm 31^\circ$



| Cod. MT    | Mandrino<br>Spindle<br>Spindel | I   | RPM  | Coppia Max<br>Max Torque<br>Max Drehmoment | Lubrificazione est.<br>Ext. coolant<br>Auslenkung | ØD       | H      | CHIAVI INCLUSE<br>Keys included<br>Schlüssel einbegriffen |        |         |         |
|------------|--------------------------------|-----|------|--|---|----------|--------|---|--------|---------|---------|
| MNL0378022 | Ø22x12                         | 1:1 | 6000 | 50Nm                                       | X   | 63-70-80 | MAX 12 | CHUB38  | CHUB17 | CHESL10 | CHESL08 |
| MNL0378125 | Ø1"x12                         | 1:1 | 6000 | 50Nm                                       | X   | 63-70-80 | MAX 12 | CHUB38  | CHUB17 | CHESL10 | CHESL08 |

### DMG-MORI

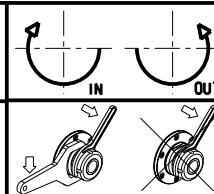
NL1500/2000/2500/3000 12 STAZIONI - NLX1500/2000/2500/3000 12 STAZIONI - NLX4000 - NZL2000/2500 - NZX2500 (BMT60)  
NT4200/4250/4300/5400 - NTX2000/2500/3000 2ND GEN. 10ST. - CTX2500 (BMT60)

MODULO MOTORIZZATO PER VITI SENZA FINE

Driven tool for worm screws

Angetriebenes Werkzeug fuer schrauben ohne ende

Subject to change without notice.



### M.T. srl

Via Casino Albini 480  
Tel. 0541/956034-957884

Fax 0541/956341

47842 S. GIOVANNI IN M. (RN)

e-mail: mtma@mtmarchetti.com

http://www.mtmarchetti.com



MNL359-1-00