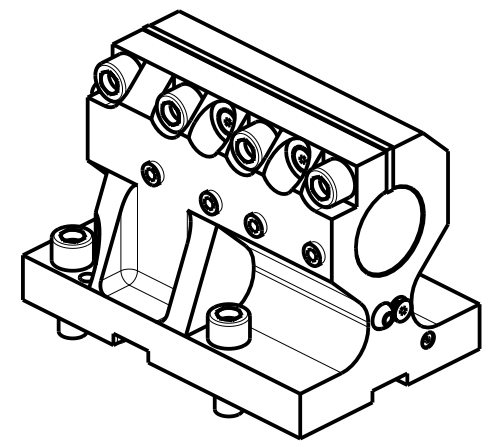


SOLO GUARNIZIONE (OPZIONALE)
 ONLY SEAL (OPTIONAL)
 NUR DICHTUNG (OPTIONAL)
 cod. MNL0310005

KIT ADDUZIONE INTERNA (OPZIONALE)
 KIT FOR INTERNAL COOLANT (OPTIONAL)
 KIT FUER INTERNE KUEHLMITTELZUFUHR (OPTIONAL)
 Ø40 cod. KIT1002003
 Ø1 1/2" cod. KIT1002004



Cod. MT	N°Utensili N°Tools N°Werkzeuge	Reversibile lato mandrino/contromandrino Reversible sub/main spindle side Umkehrbare Spindel-seite/ Gegenspindel-seite	Lubrificazione int. opzionale Coolant through optional Innenkuhlung Optional	Lubrificazione est. Ext. coolant Aussenkuhlung ..	Misure Dimensions Masse	D
MNL0314000	1	X	X	X	mm	40
MNL0313810	1	X	X	X	inch	1 1/2"

PER BOCCOLE DI RIDUZIONE VEDI PAG. TBL150-1-00
 FOR REDUCING BUSHINGS SEE PAGE TBL150-1-00
 FUR REDUZIERBUCHSE SIEHE SEITE TBL150-1-00

DMG-MORI
 NL1500/2000/2500/3000 12ST. - NLX1500/2000/2500/3000 12ST. - NLX2500 2ND GEN. 12ST. - NLX4000 - NZL2000/2500
 NZX2500 (BMT60) - NTX2000/2500/3000 2ND GEN. 10ST. - CTX2500 (BMT60)

PORTAUTENSILE ASSIALE PROLUNGATO PER BARENO Ø40mm / Ø1 1/2" H=80mm
 Axial single extended boring bar holder Ø40mm / Ø1 1/2" H=80mm
 Axial Bohrhälter verlaengerf Ø40mm / Ø1 1/2" H=80mm

M.T. srl
 Via Casino Albini 480
 Tel. 0541/956034-957884
 Fax 0541/956341
 47842 S. GIOVANNI IN M. (RN)
 e-mail: mtma@mtmarchetti.com
 http://www.mtmarchetti.com



MNL760-1-20

Subject to change without notice.