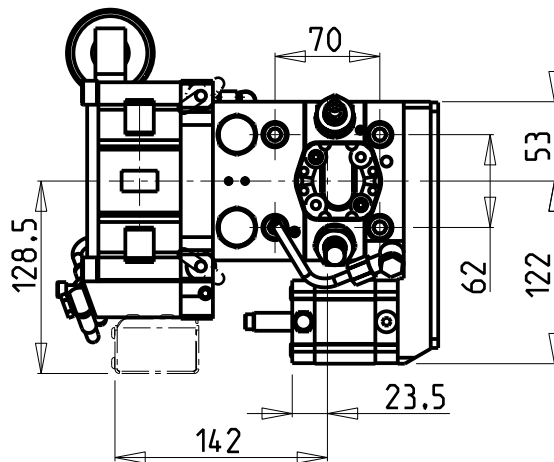


Only for
MNZ0310150JP



(())	#	CON GESTIONE ELETTRONICA APERTURA COMPLETA DELLA LUNETTA
	#	With Electronic control of steady rest arms complete opening
	#	Mit vollstaendiger elektronischer Oeffnungsbedienug der Luenette

Cod. MT	I	RPM	Lubr. esterna Ext. coolant Aussenkuehlung	
MNZ0310150	1:1	6000	X	
# MNZ0310150EU	1:1	6000	X	EUROPE - AFRICA - MIDDLE EAST - NORTH ASIA
# MNZ0310150US	1:1	6000	X	USA - CANADA - MEXICO - AUSTRALIA - SOUTH ASIA
# MNZ0310150JP	1:1	6000	X	JAPAN

DMG-MORI
NZ1500/2000 - NZX1500/2000 - NT3100/3150/3200 - NT1000/2000 - NTX1000/2000

MODULO MOTORIZZATO PER LUNETTA (TAGLIA 1)
Steady rest driven tool (Size 1)
Angetriebenes Werkzeug fuer Luenette (Grosses 1)

Subject to change without notice.

M.T. srl
Via Casino Albini 480
Tel. 0541/956034-957884
Fax 0541/956341
47842 S. GIOVANNI IN M. (RN)
e-mail: mtma@mtmarchetti.com
http://www.mtmarchetti.com



MNZ361-1-10