

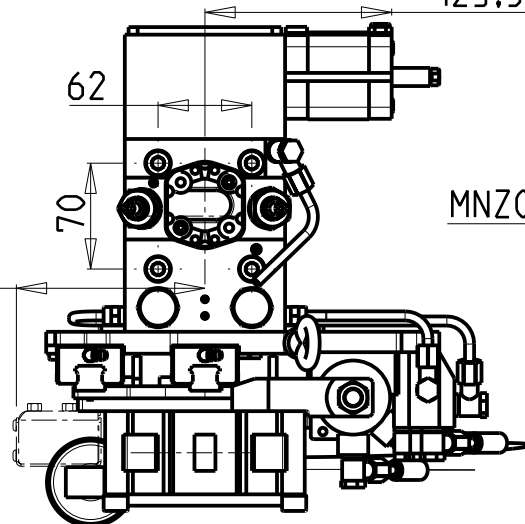
- # CON GESTIONE ELETTRONICA
APERTURA COMPLETA DELLA LUNETTA
- # With Electronic control of steady
rest arms complete opening
- # Mit vollständiger elektronischer
Öffnungsbedienung der Luenette

Cod. MT	I	RPM	Lubr.esterna Ext. coolant Aussenkuehlung
MNZ0310300	1:1	6000	X
# MNZ0310300EU	1:1	6000	X
# MNZ0310300US	1:1	6000	X
# MNZ0310300JP	1:1	6000	X

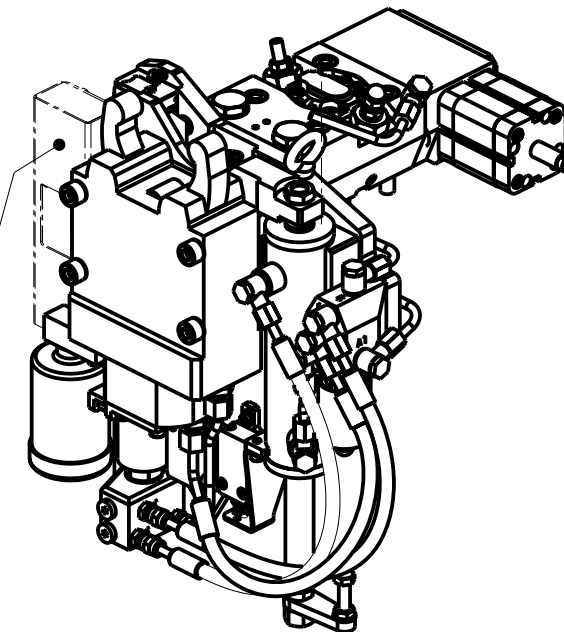
EUROPE - AFRICA -
MIDDLE EAST - NORTH ASIA

USA - CANADA - MEXICO -
AUSTRALIA - SOUTH ASIA

JAPAN



Only for
MNZ0310300JP



DMG-MORI
NZ1500/2000 - NZX1500/2000

MODULO MOTORIZZATO PER LUNETTA RETRATTILE (TAGLIA 1)
Driven toolholder for sliding steady rest (Size 1)
Luenettenwerkzeug zurueck versetzte Version (Grossse 1)

Subject to change without notice.

M.T. srl

Via Casino Albini 480
Tel. 0541/956034-957884
Fax 0541/956341
47842 S. GIOVANNI IN M. (RN)
e-mail: mtma@mtmarchetti.com
http://www.mtmarchetti.com



MNZ363-1-00

03/2024