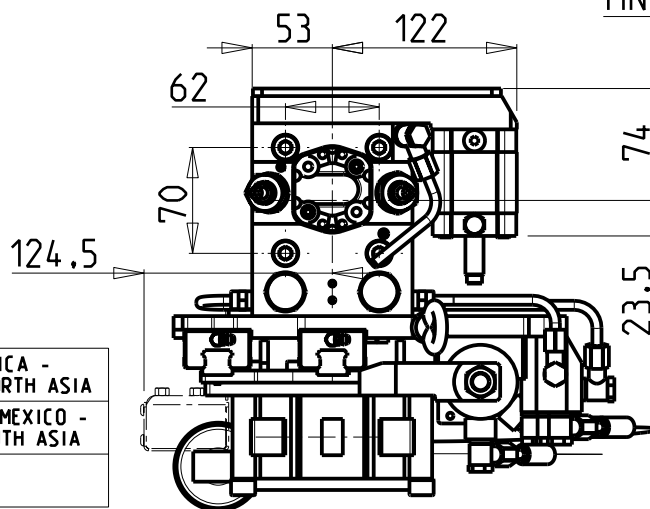
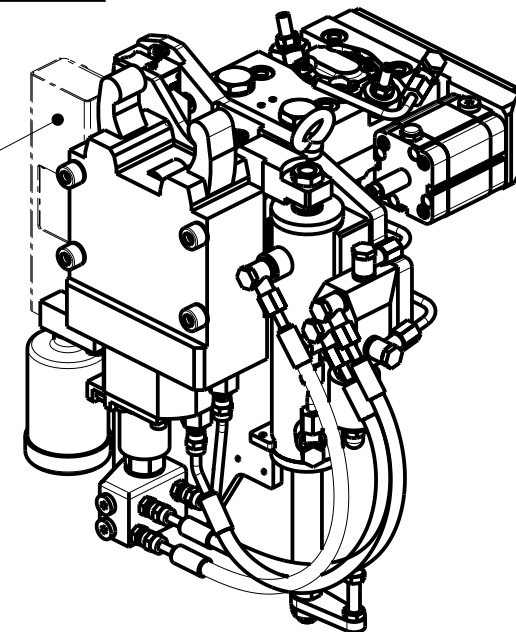


Only for
MNZ0310370JP



- # CON GESTIONE ELETTRONICA APERTURA COMPLETA DELLA LUNETTA
- # With Electronic control of steady rest arms complete opening
- # Mit vollständiger elektronischer Öffnungsbedienung der Luenette

Cod. MT	I	RPM max n1	Lubr. esterna Ext. coolant Aussenkuehlung	
MNZ0310370	1:1	6000	X	
# MNZ0310370EU	1:1	6000	X	EUROPE - AFRICA - MIDDLE EAST - NORTH ASIA
# MNZ0310370US	1:1	6000	X	USA - CANADA - MEXICO - AUSTRALIA - SOUTH ASIA
# MNZ0310370JP	1:1	6000	X	JAPAN

DMG-MORI

NTX500 (BMT40) - NZ DUE/TRE/QUATTRO (BMT40)

MODULO MOTORIZZATO PER LUNETTA RETRATTILE (TAGLIA 1)

Driven toolholder for sliding steady rest (Size 1)

Luenettenwerkzeug zurueck versetzte Version (Grossse 1)

Subject to change without notice.

M.T. srl

Via Casino Albini 480
Tel. 0541/956034-957884
Fax 0541/956341

47842 S. GIOVANNI IN M. (RN)
e-mail: mtma@mtmarchetti.com
http://www.mtmarchetti.com



MNZ363-1-20

03/2026