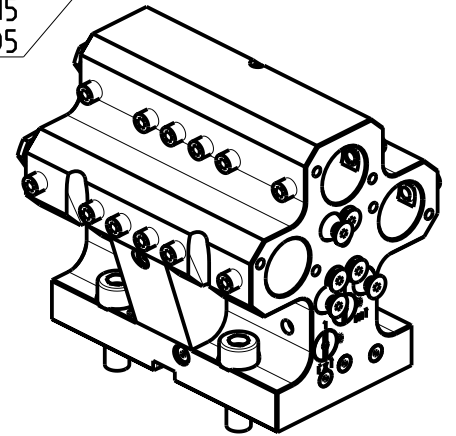
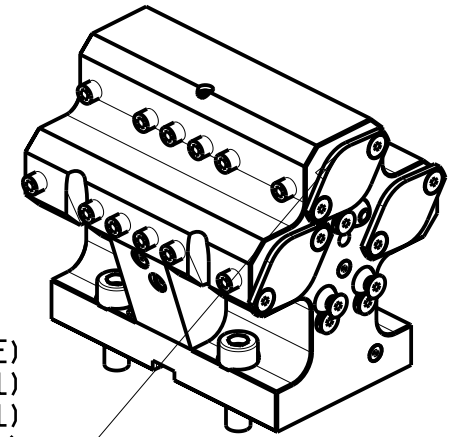


PER BOCCOLE DI RIDUZIONE VEDI PAG. TBL150-1-00  
 FOR REDUCING BUSHINGS SEE PAGE TBL150-1-00  
 FUER REDUZIERBUCHSE SIEHE SEITE TBL150-1-00

KIT ADDUZIONE INTERNA (OPZIONALE)  
 KIT FOR INTERNAL COOLANT (OPTIONAL)  
 KIT FUER INTERNE KUEHLMITTELZUFUHR (OPTIONAL)  
 Ø25 / Ø1" cod. KIT1000006  
 Ø20 cod. KIT1000015  
 Ø3/4" cod. KIT1000005



Cod. MT	N°Utensili N°Tools N°Werkzeuge	Reversibile lato mandrino/contromandrino Reversible sub/main spindle side Umkehrbare Spindel-seite/ Gegenspindel-seite	Lubrificazione int. opzionale Coolant through optional Innenkuehlung Optional	Lubrificazione est. Ext. coolant Aussenkuehlung	Misure Dimensions Masse	D	A	B
MNZ0172500	3+3	X	X	X	mm	25	65	30
MNZ0172540	3+3	X	X	X	Inch	1"	63.5	1"1/4
MNZ0172000	3+3	X	X	X	mm	20	65	30
MNZ0171905	3+3	X	X	X	Inch	3/4"	63.5	2"1/2

DMG-MORI

NZ1500/2000 - NZX1500/2000 - NT3100/3150/3200 - NL1500/2000/2500 20 STAZ. - NLX1500/2000/2500 20 STAZ. - NT1000/2000 - NTX1000/2000  
 NTX1000/2000/2500/3000 2ND GEN. 12ST. - DURATURN 2050MC/2550MC - ALC/ALX1500/2000/2500 (BMT40) - ECOTURN 450 (BMT40)

PORTAUTENSILE ASSIALE PER BARENO 3+3 POSIZIONI Ø25mm / Ø1" / Ø20mm / Ø3/4"

Axial 3+3 position boring bar holder Ø25mm / Ø1" / Ø20mm / Ø3/4"

Axial Bohrhalter 3+3 Positionen Ø25mm / Ø1" / Ø20mm / Ø3/4"

M.T. srl

Via Casino Albini 480  
 Tel. 0541/956034-957884  
 Fax 0541/956341

47842 S. GIOVANNI IN M. (RN)  
 e-mail: mtma@tmarchetti.com  
 http://www.tmmarchetti.com



MNZ914-1-00

Subject to change without notice.

03/2024