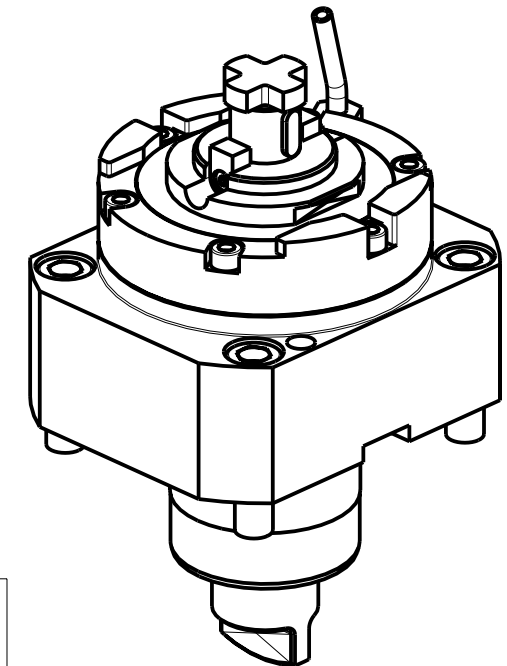
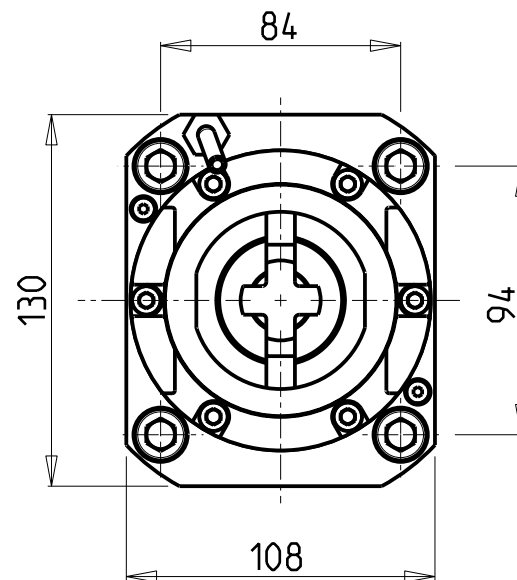
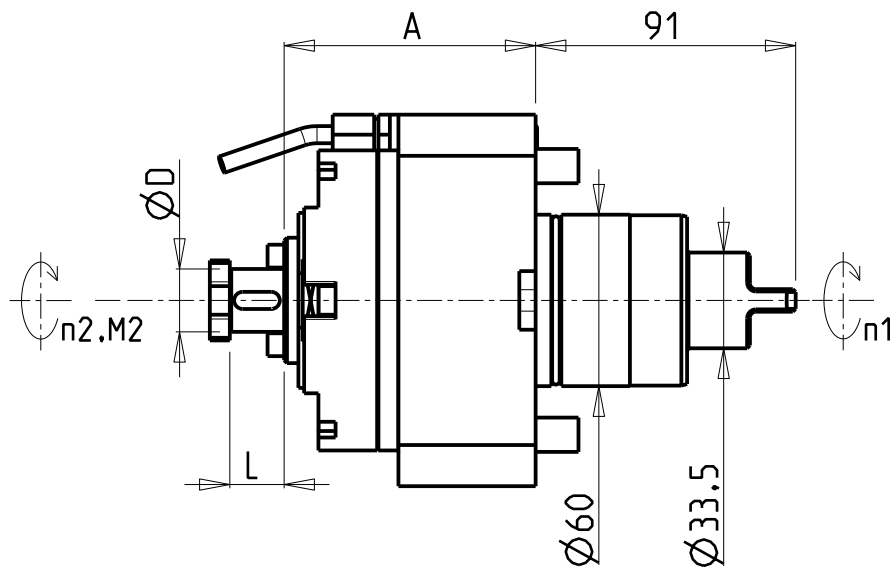


CUSCINETTI MAGGIORATI PER LAVORAZIONI PESANTI

Reinforced bearings for
heavy machining

Vergroesserte Lager fuer
schwerere Bearbeitungen



Cod. MT	Mandrino Spindle Spindel	I (n1:n2)	RPM max n2	Coppia Max Max Torque Max Drehmoment M2 [Nm]	Lubrificazione est. Ext. coolant Aussehenkuehlung	A	D	L	CHIAVI INCLUSE Keys included Schluessel inbegriffen	
MNL0732219	$\varnothing 22 \times 19$	1:1	4000	100	X	88	22	19	CH_VTCROCE_M10	OKU0430007
MNL0732519	$\varnothing 1" \times 19$	1:1	4000	100	X	89	1"	19	CH_VTCROCE_M12	OKU0430007
MNL0732721	$\varnothing 27 \times 21$	1:1	4000	100	X	89	27	21	CH_VTCROCE_M12	OKU0430007
MNL0733224	$\varnothing 32 \times 24$	1:1	4000	100	X	91	32	24	CH_VTCROCE_M16	OKU0430007

MT EVO (MTRent)
T25Y/SY - T32Y/SY

MODULO MOTORIZZATO RADIALE MAGGIORATO
Radial reinforced driven tool
Radial angetriebenes Werkzeug vergroessert

Subject to change without notice.

M.T. srl

Via Casino Albini 480
Tel. 0541/956034-957884
Fax 0541/956341
47842 S. GIOVANNI IN M. (RN)
e-mail: mtma@mtmarchetti.com
http://www.mtmarchetti.com



MTR020-1-00

03/2025