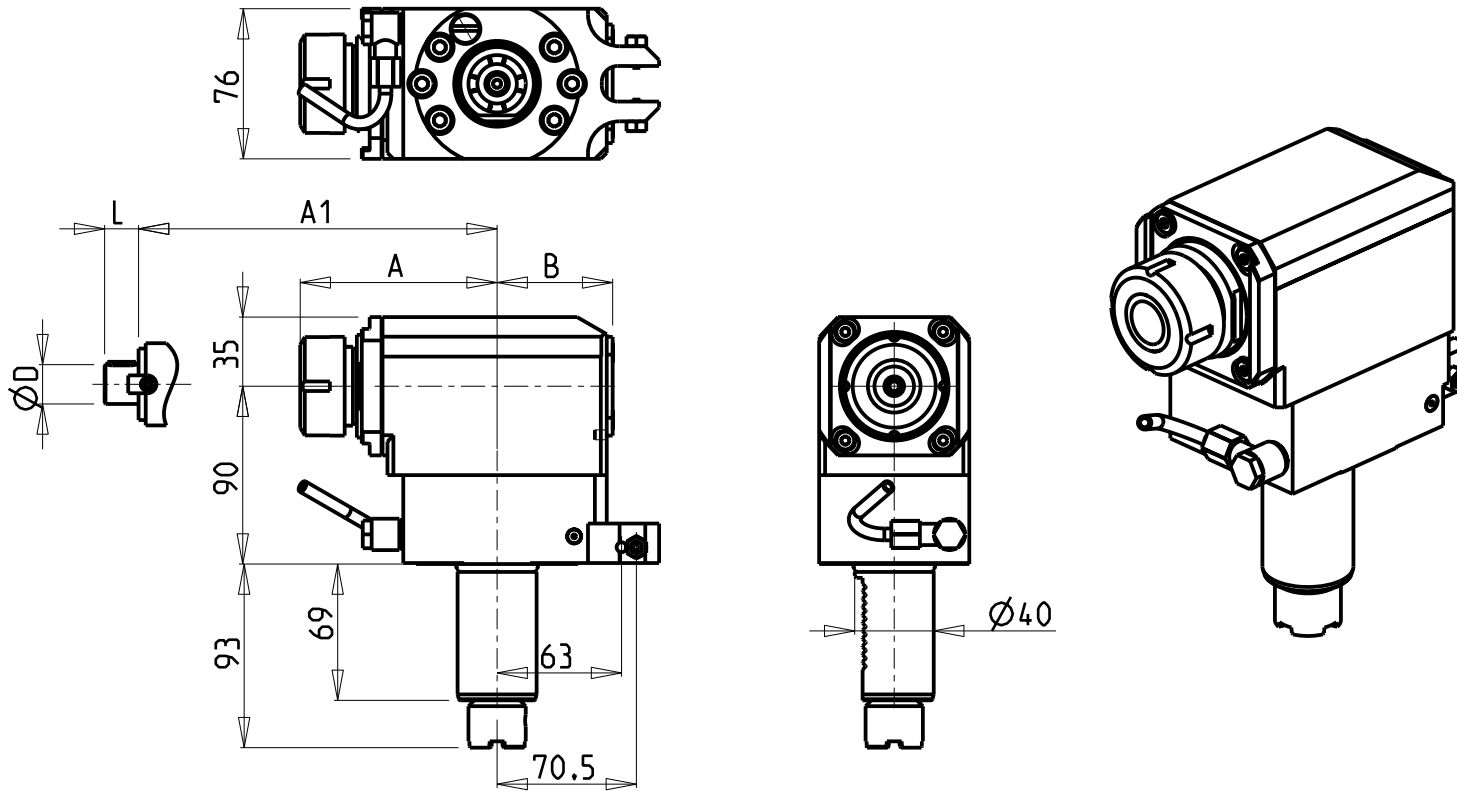
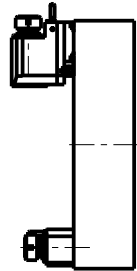


**ATTENZIONE - ATTENTION - ACHTUNG**

- Per lo smontaggio degli utensili utilizzare sempre la chiave di contrasto come indicato nel manuale d'uso.
- For disassembly of the tools use always the contrast key as mentioned in the user instructions.
- Fuer das Abmontieren der Werkzeuge immer den Gegenschlüssel benutzen wie in der Bedienungsanleitung erwaeht.

**TORRETTE ASSIALI  
AXIAL TURRETS  
AXIAL REVOLVER**



- Chiave inclusa
- Key included
- Schluessel inbegriffen

Cod. MT	Mandrino Spindle Spindel	I	RPM	Coppia Max Max Torque Max Drehmoment	Lubrificazione int. Coolant through Innenkuhlung	Lubrificazione est. Ext. coolant Aussenkuhlung	A	A1	B	D	L	CHIAVI NON INCLUDE Keys not included Schluessel nicht einbegriffen	
OKU0050132	ER32	1:1	4000	70Nm	-	X	99.7	-	58.5	-	-	OKU0650004	CHSTER32
OKU0050232	ER32	1:1	4000	70Nm	P=70bar	X	99.7	-	69.5	-	-	OKU0650004	CHSTER32
OKU0050140	ER40	1:1	4000	70Nm	-	X	103.7	-	58.5	-	-	OKU0650004	CHSTER40
OKU0050240	ER40	1:1	4000	70Nm	P=70bar	X	103.7	-	69.5	-	-	OKU0650004	CHSTER40
OKU0052219	Ø22x19	1:1	4000	70Nm	-	X	-	78.5	58.5	22	19	CHUB41	CH_VTCROCE_M10
OKU0052721	Ø27x21	1:1	4000	70Nm	-	X	-	78.5	58.5	27	21	CHUB41	CH_VTCROCE_M12

**OKUMA**

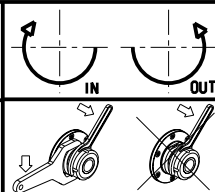
MOD: LB15/300 - LT15/300 - LR15 - LU15M - LU300M - GENOS L300M - GENOS L3000e M/MY (VDI40) - ES L10M

MODULO MOTORIZZATO RADIALE VDI40 H=90mm

Radial driven tool VDI40 H=90mm

Radial angetriebenes Werkzeug VDI40 H=90mm

Subject to change without notice.



**M.T. srl**  
Via Casino Albini 480  
Tel. 0541/956034-957884  
Fax 0541/956341  
47842 S. GIOVANNI IN M. (RN)  
e-mail: mtma@mtmarchetti.com  
http://www.mtmarchetti.com



OKU013-2-20