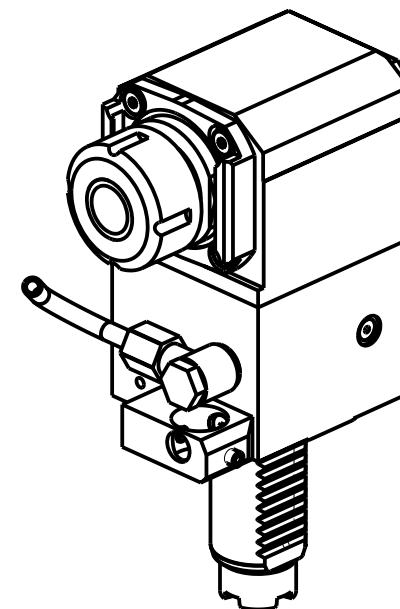
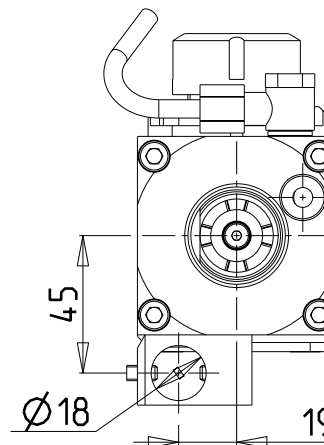
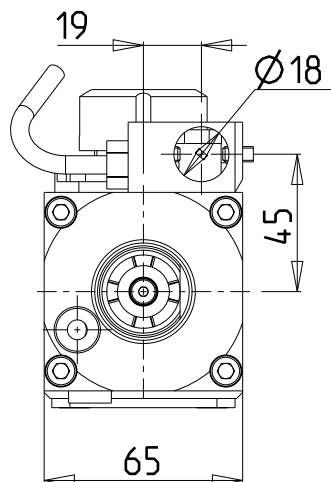


versione dx
right version
version rechts

versione sx
left version
version links



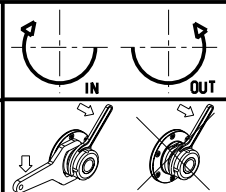
- Chiave inclusa
- Key included
- Schlüssel inbegriffen

Cod. MT		Mandrino Spindel Spindel	I	RPM	Coppia Max Max Torque Max Drehmoment	Lubrificazione int. Coolant through Innenkuehlung	Lubrificazione est. Ext. coolant Aussenkuehlung	ØD	L	A	A1	A2	B	CHIAVI NON INCLUDE Keys not included Schlüssel nicht einbegriffen	
versione dx right version version rechts	versione sx left version version links														
OKU1720125	OKU1721125	ER25	1:1	6000	32Nm	-	X	-	-	66.2	-	-	38	OKU0290009	CHSTER25
OKU1720225	OKU1721225	ER25	1:1	6000	32Nm	P=70bar	X	-	-	66.2	-	-	48	OKU0290009	CHSTER25
OKU1720316	OKU1721316	WELDON16	1:1	6000	32Nm	-	X	-	-	-	-	54.5	38	-	-
OKU1720416	OKU1721416	Ø16x17	1:1	6000	32Nm	-	X	16	17	-	45	-	38	OKU0290009	CH_VTCROCE_M08
OKU1720422	OKU1721422	Ø22x19	1:1	6000	32Nm	-	X	22	19	-	47	-	38	OKU0290009	CH_VTCROCE_M10

OKUMA
MOD: LT200 - LT10M

MODULO MOTORIZZATO RADIALE VD130 H=90mm
Radial driven tool VD130 H=90mm
Radial angetriebenes Werkzeug VD130 H=90mm

Subject to change without notice.



M.T. srl
Via Casino Albini 480
Tel. 0541/956034-957884
Fax 0541/956341
47842 S. GIOVANNI IN M. (RN)
e-mail: mtma@mtmarchetti.com
http://www.mtmarchetti.com



OKU150-1-20