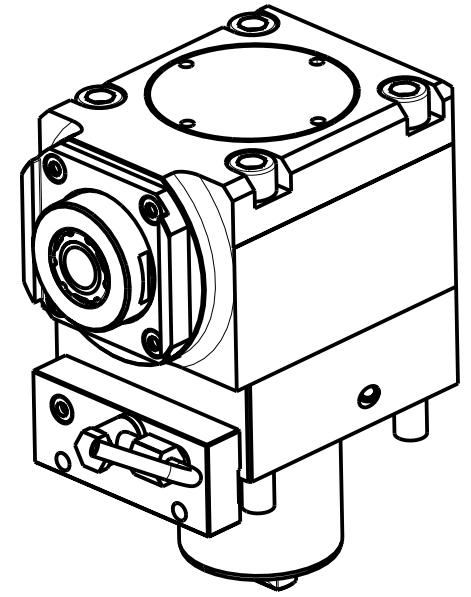


ATTENZIONE - ATTENTION - ACHTUNG

- Per lo smontaggio degli utensili utilizzare sempre la chiave di contrasto come indicato nel manuale d'uso.
- For disassembly of the tools use always the contrast key as mentioned in the user instructions.
- Fuer das Abmontieren der Werkzeuge immer den Gegenschlüssel benutzen wie in der Bedienungsanleitung erwaeht.

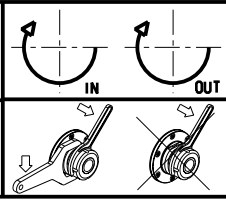


- Chiave inclusa
- Key included
- Schlüssel inbegriffen

| Cod. MT | Mandrino Spindle Spindel | I | RPM | Coppia Max Max Torque Max Drehmoment | Reversibile lato mandrino/contromandrino Reversible sub/main spindle side Umkehrbare Spindel-seite/ Gegenspindel-seite | Lubrificazione int. Coolant through Innenkuehlung | Lubrificazione est. Ext. coolant Aussenkuehlung | B | CHIAVI NON INCLUSE Keys not included Schlüssel nicht einbegriffen | | |
|------------|--------------------------|-----|-------|--------------------------------------|--|---|---|----|---|------------|------------|
| OKU0470325 | ERA25 | 1:2 | 12000 | 50Nm | X | | X | 64 | CHUB27 | CHTAER25ZC | OKU0650004 |
| OKU0470425 | ERA25 | 1:2 | 12000 | 50Nm | X | P=70bar | X | 74 | CHUB27 | CHTAER25ZC | OKU0650004 |

OKUMA
MOD: LB4000EX(I) - LB4000EX(II) - LU4000EX

MODULO MOTORIZZATO ASSIALE MOLTIPLICATO I=1:2
 Axial geared-up I=1:2 driven tool
 Axial angetriebenes Werkzeug uebersetzt I=1:2



M.T. srl
 Via Casino Albini 480
 Tel. 0541/956034-957884
 Fax 0541/956341
 47842 S. GIOVANNI IN M. (RN)
 e-mail: mtma@mtmarchetti.com
 http://www.mtmarchetti.com



OKU200-5-10

Subject to change without notice.