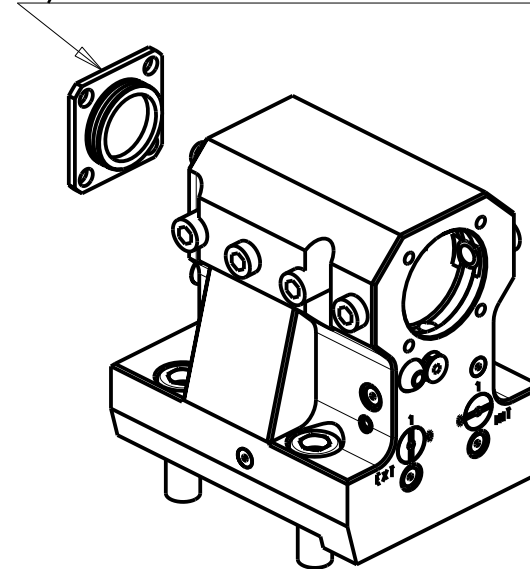


KIT ADDUZIONE INTERNA (OPZIONALE)
 KIT FOR INTERNAL COOLANT (OPTIONAL)
 KIT FUER INTERNE KUEHLMITTELZUFUHR (OPTIONAL)
 Ø32-Ø1 1/4" cod. KIT1000020
 Ø40 cod. KIT1000019
 Ø1 1/2" cod. KIT1000023



PER BOCCOLE DI RIDUZIONE VEDI PAG. TBL150-1-00
 FOR REDUCING BUSHINGS SEE PAGE TBL150-1-00
 FÜR REDUZIERBUCHSE SIEHE SEITE TBL150-1-00

Cod. MT	N°Utensili N°Tools N°werkzeuge	Reversibile lato mandrino/contromandrino Reversible sub/main spindle side Umkehrbare Spindel-seite/ Gegenspindel-seite	Lubrificazione int. opzionale Coolant through optional Innenkuehlung Optional	Lubrificazione est. Ext. coolant Aussenkuehlung	Misure Dimensions Masse	D
OKU0133200	1		X	X	mm	32
OKU0133175	1	X	X	X	Inch	1 1/4"
OKU0134000	1	X	X	X	mm	40
OKU0133810	1	X	X	X	Inch	1 1/2"

OKUMA
 MOD: LB2000-2500-3000EX(I) M/MY/MW/MYW - LB2000-2500-3000EX(II) M/MY/MW/MYW - LU3000EX M/MY/MW
 MULTUS U3000/4000/5000 2SW - GENOS L300MW/MYW - GENOS L3000e M/MY

PORTAUTENSILE ASSIALE PER BARENO Ø32mm/Ø1 1/4"/Ø40mm/Ø1 1/2" H=90mm
 Axial single boring bar holder Ø32mm/Ø1 1/4"/Ø40mm/Ø1 1/2" H=90mm
 Axial Bohrhälter Ø32mm/Ø1 1/4"/Ø40mm/Ø1 1/2" H=90mm

Subject to change without notice.

M.T. srl
 Via Casino Albini 480
 Tel. 0541/956034-957884
 Fax 0541/956341
 47842 S. GIOVANNI IN M. (RN)
 e-mail: mtma@tmarchetti.com
 http://www.mtmarchetti.com



OKU630-4-10