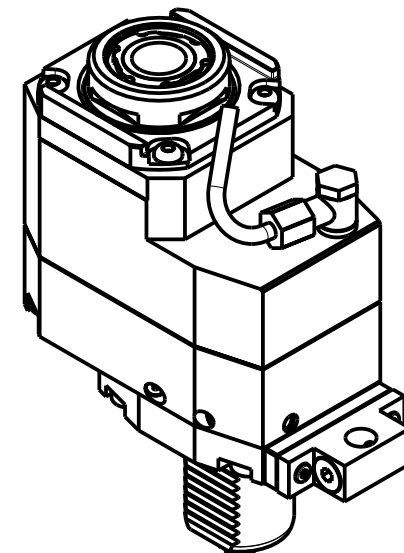
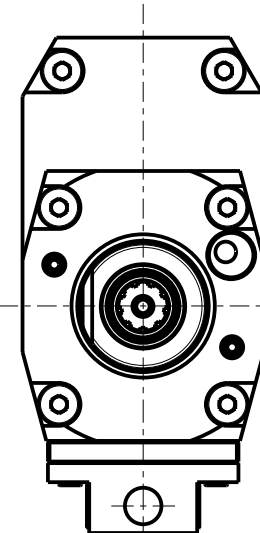
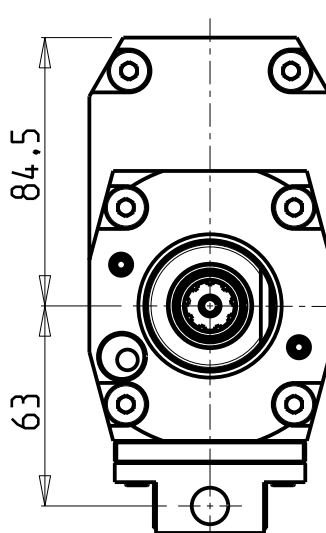


versione dx
right version
version rechts

versione sx
left version
version links



DIN 5482

Cod. MT		Mandrino Spindle Spindel	I (n1:n2)	RPM max n2	Coppia Max Max Torque Max Drehmoment M2 (Nm)	Lubrificazione int. Coolant through Innenkuehlung Pmax (bar)	Lubr.esterna Ext. coolant Aussenkuehlung	Lav. secco Dry-run Trocken Bearb.	CHIAVI NON INCLUSE Keys not included Schlüssel nicht einbegriffen		
versione dx right version version rechts	versione sx left version version links								CHUB30	CHTAER32ZC	OKU0650004
SAU0446132	SAU0447132	ERA32	1:2	8000	45	-	X	X	CHUB30	CHTAER32ZC	OKU0650004
SAU0446232	SAU0447232	ERA32	1:2	8000	45	70	X	-	CHUB30	CHTAER32ZC	OKU0650004

- Chiave inclusa
- Key included
- Schlüssel inbegriffen

SAUTER
VDI 40

MODULO MOTORIZZATO ASSIALE MOLTIPLICATO I=1:2 DISASSATO 42mm VDI40
Axial geared-up I=1:2 driven tool re-directed by 42mm VDI40
Axial angetriebenes Werkzeug uebersetzt I=1:2 achsversetzt um 42mm VDI40

M.T. srl

Via Casino Albini 480
Tel. 0541/956034-957884
Fax 0541/956341
47842 S. GIOVANNI IN M. (RN)
e-mail: mtma@mtmarchetti.com
http://www.mtmarchetti.com



SAU014-3-60

Subject to change without notice.

03/2026