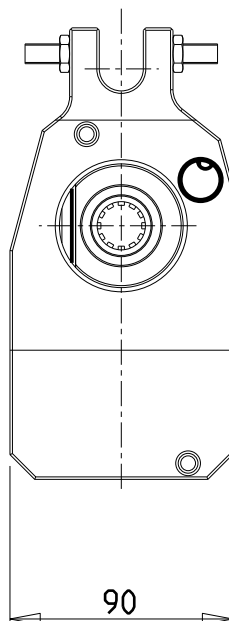
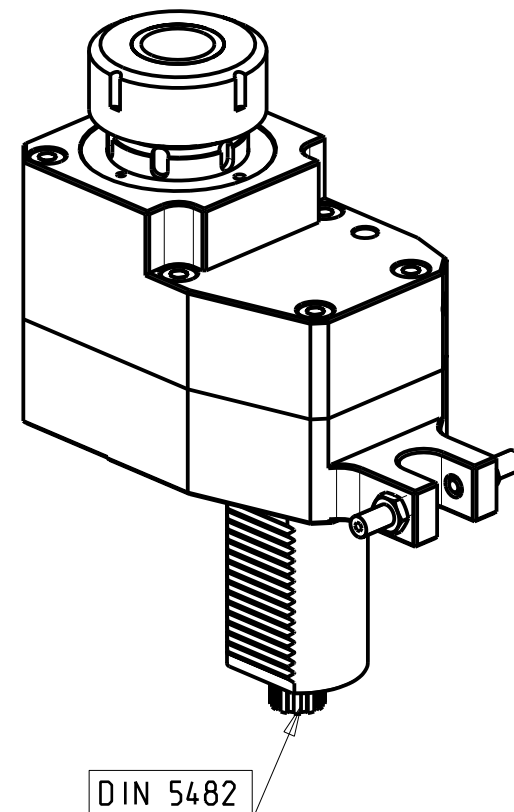
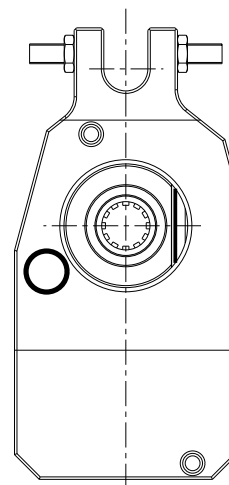


versione dx
right version
version rechts



versione sx
left version
version links



DIN 5482

Cod. MT

versione dx
right version
version rechts

versione sx
left version
version links

Mandrino
Spindle
Spindel

I
(n1:n2)

RPM
max
n2

Coppia Max
Max Torque
Max Drehmoment
M2 [Nm]

Lubr.esterna
Ext. coolant
Aussenkuehlung

Lav.
secco
Dry-run
Trocken
Bearb.

CHIAVI NON INCLUSE
Keys not included
Schluessel nicht einbegriffen

245SAU_A40_50D00

245SAU_A40_50D20

ER40

1:1

4000

100

X

X

CHSE5255

CHSTER40

SAUTER
VDI 50

MODULO MOTORIZZATO ASSIALE DISASSATO 60mm VDI50 DIN 5482

Axial driven tool re-directed by 60mm VDI50 DIN 5482

Axial angetriebenes Werkzeug achsversetzt um 60mm VDI50 DIN 5482

Subject to change without notice.

M.T. srl

Via Casino Albini 480
Tel. 0541/956034-957884
Fax 0541/956341

47842 S. GIOVANNI IN M. (RN)
e-mail: mtma@mtmarchetti.com
http://www.mtmarchetti.com



SAU014-4-05

03/2026