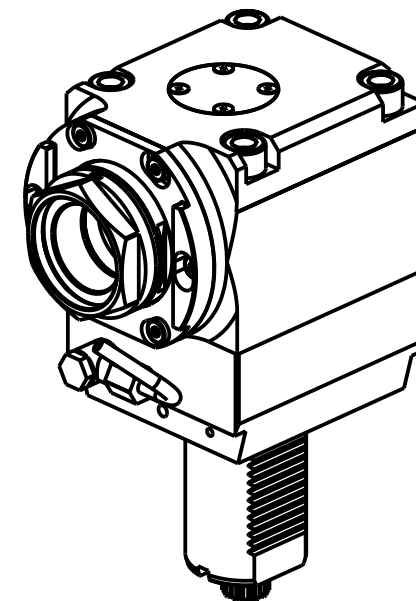
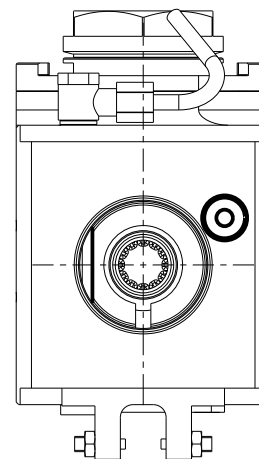
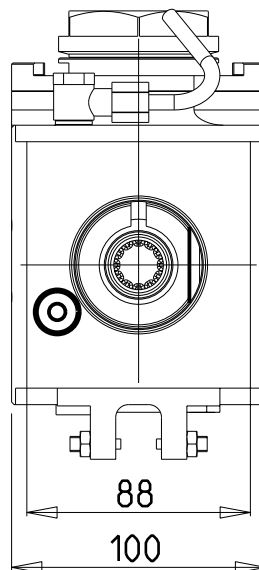


versione dx
right version
version rechts

versione sx
left version
version links



DIN 5482

PER PORTAUTENSILI MODULARI MTSK-50 VEDI PAG. TBL300-1-50
FOR MTSK-50 QUICK CHANGE TOOLHOLDERS CLAMPINGS SEE PAGE TBL300-1-50
FUER MTSK-50 MODULARE WERKZEUGAUFNAHMEN SIEHE SEITE TBL300-1-50

Cod. MT		Mandrino Spindle Spindel	I (n1:n2)	RPM max n2	Coppia Max Max Torque Max Drehmoment M2 (Nm)	Lubrificazione int. Coolant through Innenkuehlung Pmax (bar)	Lubr.esterna Ext. coolant Aussenkuehlung	Lav. secco Dry-run Trocken Bearb.	B	CHIAVI NON INCLUSE Keys not included Schluessel nicht einbegriffen	
versione dx right version version rechts	versione sx left version version links									C HUB55	OKU04 30007 *
SAU1050150	SAU1051150	MTSK-50	1:1	4000	100	-	X	X	58	C HUB55	OKU04 30007 *
SAU1050250	SAU1051250	MTSK-50	1:1	4000	100	100 (diag. 2)	X	X	66.5	C HUB55	OKU04 30007 *

- Chiave inclusa
- Key included
- Schluessel inbegriffen

SAUTER
VDI 50

MODULO MOTORIZZATO RADIALE MTSK VDI50 DIN 5482
Radial MTSK driven tool VDI50 DIN 5482
Radial MTSK angetriebenes Werkzeug VDI50 DIN 5482

M.T. srl

Via Casino Albini 480
Tel. 0541/956034-957884
Fax 0541/956341
47842 S. GIOVANNI IN M. (RN)
e-mail: mtma@mtmarchetti.com
http://www.mtmarchetti.com



SAU014-4-80-K

Subject to change without notice.

03/2026