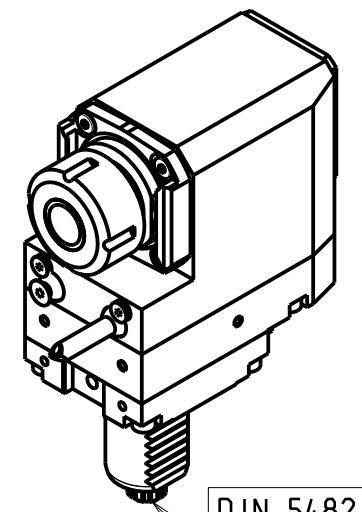
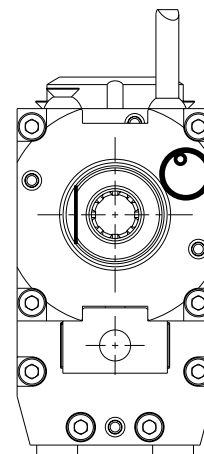
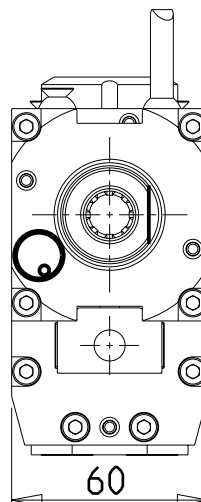


versione dx
right version
version rechts

versione sx
left version
version links



DIN 5482

- Chiave inclusa
- Key included
- Schlüssel inbegriffen

| Cod. MT | | Mandrino Spindle Spindel | I (n1:n2) | RPM max n2 | Coppia Max Max Torque Max Drehmoment M2 (Nm) | Lubrificazione int. Coolant through Innenkuehlung Pmax (bar) | Lubr.esterna Ext. coolant Aussenkuehlung | Lav. secco Dry-run Troeknen Bearb. | A1 | A2 | B | CHIAVI NON INCLUDE Keys not included Schlüssel nicht einbegriffen | | |
|--|--|--------------------------------|--------------|------------------|---|---|--|--|-------|------|------|---|------------|------------|
| versione dx right version version rechts | versione sx left version version links | | | | | | | | | | | | | |
| SAU0210120 | SAU0211120 | ER20 | 1:1 | 6000 | 32 | - | X | X | 41.16 | - | 73.5 | - | CHSTER20 | OKU0290009 |
| SAU0210220 | SAU0211220 | ER20 | 1:1 | 6000 | 32 | 100 (diag. 2) | X | X | 41.16 | - | 83.5 | - | CHSTER20 | OKU0290009 |
| SAU0210320 | SAU0211320 | ERA20 | 1:1 | 6000 | 32 | - | X | X | 24.5 | - | 73.5 | CHUB22 | CHTAER20ZC | OKU0290009 |
| SAU0210420 | SAU0211420 | ERA20 | 1:1 | 6000 | 32 | 100 (diag. 2) | X | X | 24.5 | - | 83.5 | CHUB22 | CHTAER20ZC | OKU0290009 |
| SAU0210125 | SAU0211125 | ER25 | 1:1 | 6000 | 32 | - | X | X | 42.16 | - | 73.5 | - | CHSTER25 | OKU0290009 |
| SAU0210225 | SAU0211225 | ER25 | 1:1 | 6000 | 32 | 100 (diag. 2) | X | X | 42.16 | - | 83.5 | - | CHSTER25 | OKU0290009 |
| SAU0210325 | SAU0211325 | ERA25 | 1:1 | 6000 | 32 | - | X | X | 28.5 | - | 73.5 | CHUB27 | CHTAER25ZC | OKU0290009 |
| SAU0210425 | SAU0211425 | ERA25 | 1:1 | 6000 | 32 | 100 (diag. 2) | X | X | 28.5 | - | 83.5 | CHUB27 | CHTAER25ZC | OKU0290009 |
| SAU0210516 | SAU0211516 | WELDON16 | 1:1 | 6000 | 32 | - | X | X | - | 27.5 | 73.5 | - | - | - |

SAUTER
VDI 30

MODULO MOTORIZZATO RADIALE ARRETRATO VDI30 DIN 5482 H=85mm
Radial rear-set driven tool VDI30 DIN 5482 H=85mm
Radial angetriebenes Werkzeug zurueckversetzt VDI30 DIN 5482 H=85mm

Subject to change without notice.

M.T. srl

Via Casino Albini 480
Tel. 0541/956034-957884
Fax 0541/956341
47842 S. GIOVANNI IN M. (RN)
e-mail: mtma@mtmarchetti.com
http://www.mtmarchetti.com



SAU015-2-70

03/2026