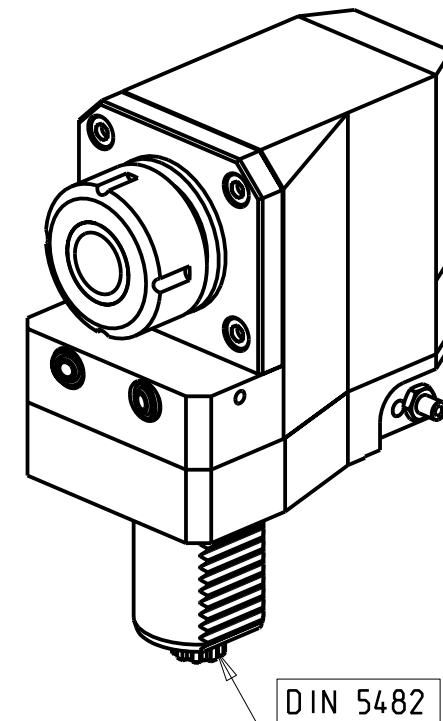
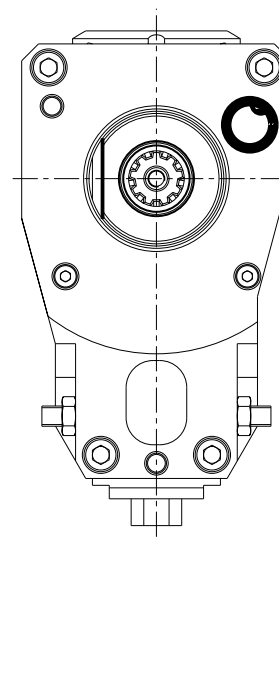
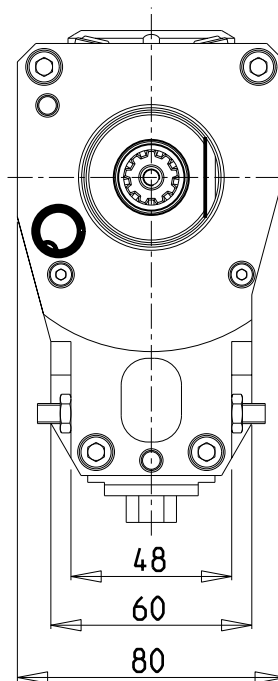


versione dx
right version
version rechts

versione sx
left version
version links



DIN 5482

Cod. MT

Mandrino
Spindle
Spindel

|
(n1:n2)

RPM
max
n2

Coppia Max
Max Torque
Max Drehmoment
M2 (Nm)

Lubr.esterna
Ext. coolant
Aussenkuehlung

Lav.
secco
Dry-run
Trocken
Bearb.

CHIAVI NON INCLUSE
Keys not included
Schluessel nicht einbegriffen

201SAU_R32_40D00

201SAU_R32_40D20

ER32

1:1

4000

70

X

X

CHUB13

CHSTER32

SAUTER
VDI 40

MODULO MOTORIZZATO RADIALE ARRETRATO VDI40 DIN 5482 H=85mm
Radial rear-set driven tool VDI40 DIN 5482 H=85mm
Radial angetriebenes Werkzeug zurueckversetzt VDI40 DIN 5482 H=85mm

Subject to change without notice.

M.T. srl

Via Casino Albini 480
Tel. 0541/956034-957884
Fax 0541/956341
47842 S. GIOVANNI IN M. (RN)
e-mail: mtma@mtmarchetti.com
http://www.mtmarchetti.com



SAU015-3-60

03/2026