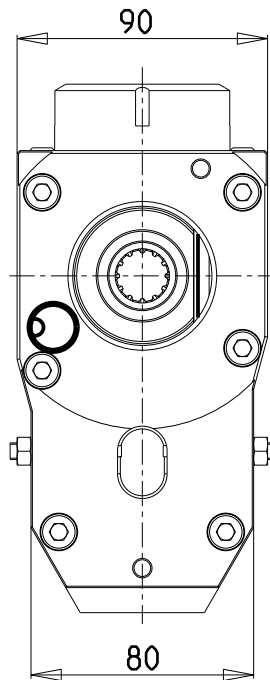
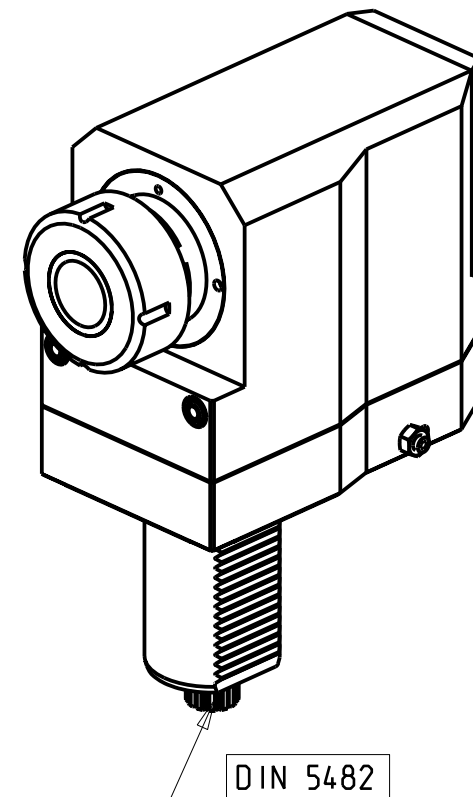
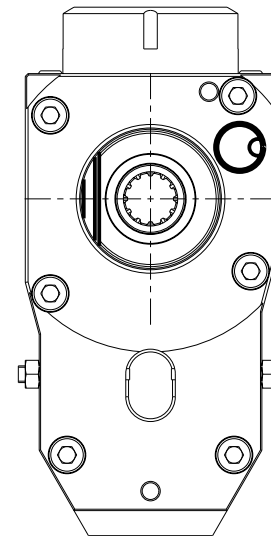


versione dx
right version
version rechts



versione sx
left version
version links



DIN 5482

Cod. MT

| versione dx right version version rechts | versione sx left version version links | Mandrino Spindle Spindel | I (n1:n2) | RPM max n2 | Coppia Max Max Torque Max Drehmoment M2 (Nm) | Lubr.esterna Ext. coolant Aussenkuehlung | Lav. secco Dry-run Trocken Bearb. | CHIAVI NON INCLUSE Keys not included Schluessel nicht einbegriffen | |
|--|--|--------------------------------|--------------|------------------|---|--|---|--|----------|
| 241SAU_R40_50D00 | 241SAU_R40_50D20 | ER40 | 1:1 | 4000 | 100 | X | X | CHUB42 | CHSTER40 |

SAUTER
VDI 50

MODULO MOTORIZZATO RADIALE ARRETRATO VDI50 DIN 5482
Radial rear-set driven tool VDI50 DIN 5482
Radial angetriebenes Werkzeug zurueckversetzt VDI50 DIN 5482

M.T. srl

Via Casino Albini 480
Tel. 0541/956034-957884
Fax 0541/956341
47842 S. GIOVANNI IN M. (RN)
e-mail: mtma@mtmarchetti.com
http://www.mtmarchetti.com



SAU015-4-00

Subject to change without notice.

03/2026