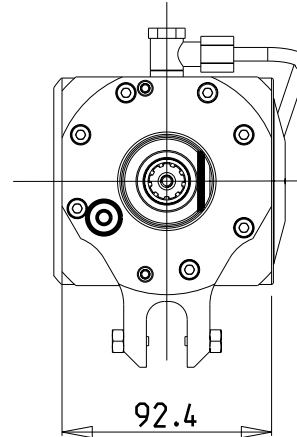
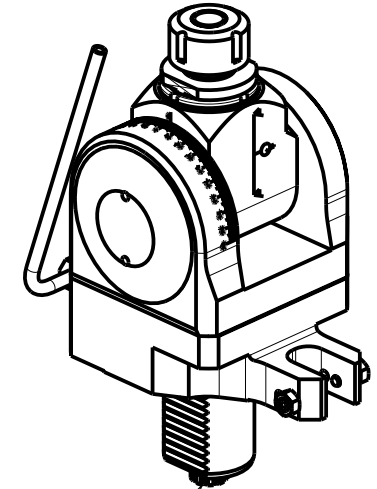
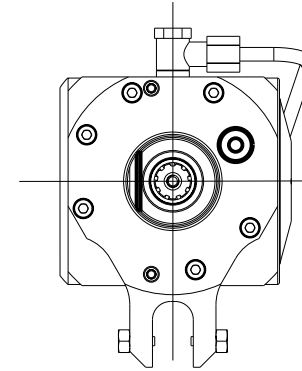


versione dx
right version
version rechts



versione sx
left version
version links



DIN 5482

Cod. MT		Mandrino Spindel Spindel	I (n1:n2)	RPM max n2	Coppia Max Max Torque Max Drehmoment M2 (Nm)	Lubr.esterna Ext. coolant Aussenkuehlung	Lav. secco Dry-run Trocken Bearb.	A	A1	D	L	CHIAVI INCLUDE Keys included Schluesel einbegriffen	
versione dx right version version rechts	versione sx left version version links												
SAU0850120	SAU0851120	ER20	1:1	4000	40	X	X	85.16	-	-	-	CHUB36	CHSTER20
SAU0850125	SAU0851125	ER25	1:1	4000	40	X	X	86.16	-	-	-	CHUB36	CHSTER25
SAU0850516	SAU0851516	Ø16x17	1:1	4000	40	X	X	-	65	16	17	CHUB36	CH_VTCROCE_M08
SAU0850522	SAU0851522	Ø22x19	1:1	4000	40	X	X	-	66	22	19	CHUB36	CH_VTCROCE_M10
SAU0850519	SAU0851519	Ø3/4"x3/4"	1:1	4000	40	X	X	-	65	3/4"	3/4"	CHUB36	CH_VTCROCE_M08

SAUTER
VDI 40
MODULO MOTORIZZATO ORIENTABILE ±90° VDI40 DIN 5482
±90° adjustable angle driven tool VDI40 DIN 5482
Angetriebenes Werkzeug schwenkbar ±90° VDI40 DIN 5482

M.T. srl
Via Casino Albini 480
Tel. 0541/956034-957884
Fax 0541/956341
47842 S. GIOVANNI IN M. (RN)
e-mail: mtma@mtmarchetti.com
http://www.mtmarchetti.com



SAU016-3-60

Subject to change without notice.