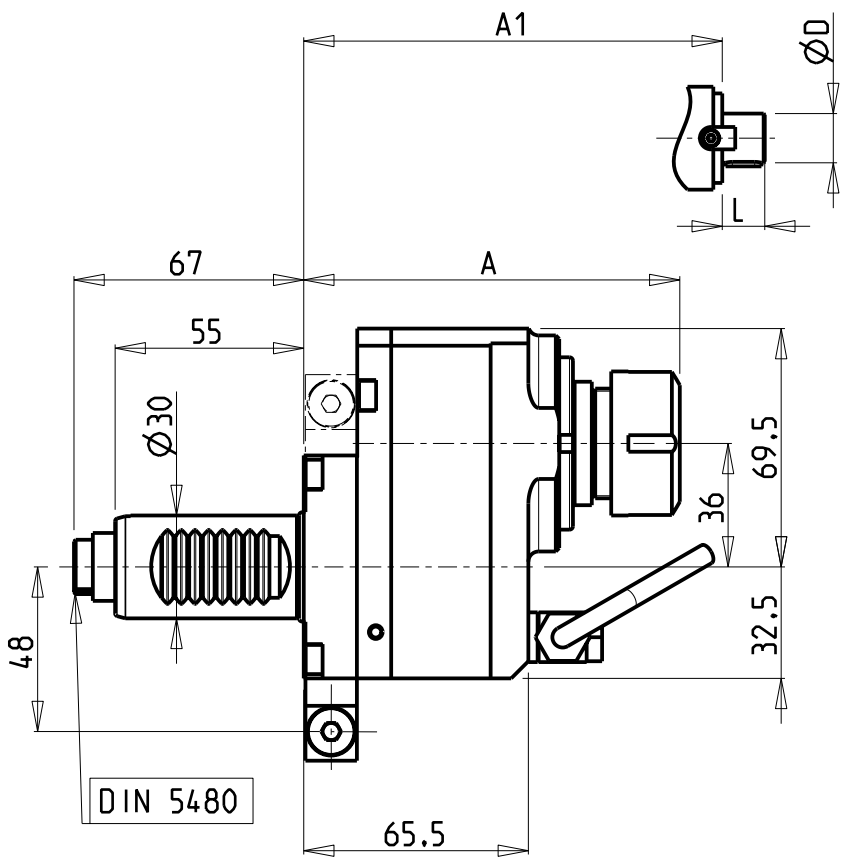


ATTENZIONE - ATTENTION - ACHTUNG

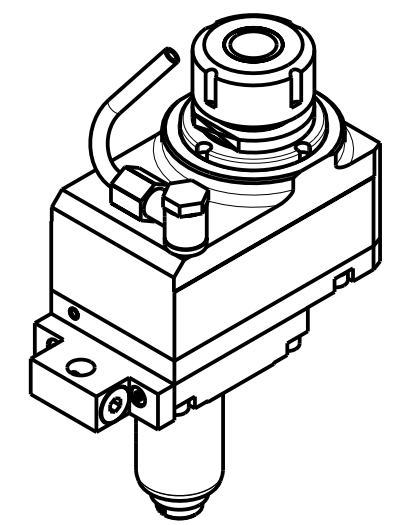
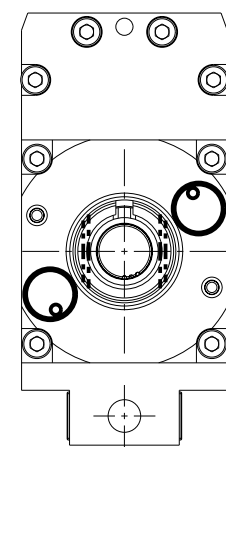
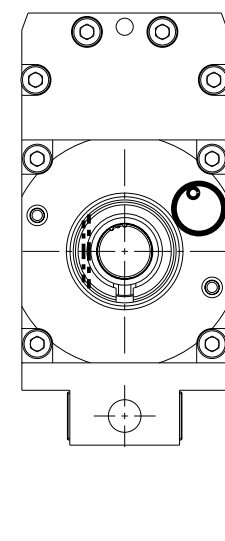
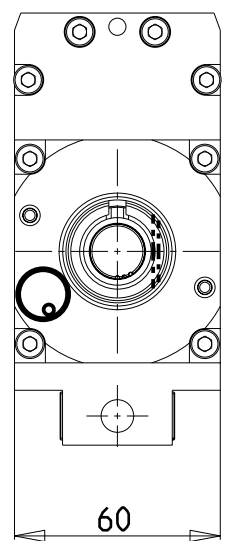
- Per lo smontaggio degli utensili utilizzare sempre la chiave di contrasto come indicato nel manuale d'uso.
- For disassembly of the tools use always the contrast key as mentioned in the user instructions.
- Fuer das Abmontieren der Werkzeuge immer den Gegenschlüssel benutzen wie in der Bedienungsanleitung erwäehnt.



versione dx
right version
version rechts

versione sx
left version
version links

versione universale
universal version
universal version

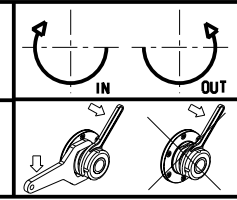


Cod. MT			Mandrino Spindle Spindel	I	RPM	Coppia Max Max Torque Max Drehmoment	Lubrificazione est. Ext. coolant Aussenkuehlung	A	A1	ØD	L	CHIAVI NON INCLUDE Keys not included Schlüssel nicht einbegriffen	
versione dx right version version rechts	versione sx left version version links	versione universale universal version universal version										CHUB36	CHSTER25
SAU0100125	SAU0101125	SAU0102125	ER25	1:1	6000	30Nm	X	109.66	-	-	-	CHUB36	CHSTER25
SAU0100522	SAU0101522	SAU0102522	Ø22x19	1:1	6000	30Nm	X	-	90.5	22	19	CHUB36	CH_VTCROCE_M10

- Chiave inclusa
- Key included
- Schlüssel inbegriffen

SAUTER
VDI 30

MODULO MOTORIZZATO ASSIALE DISASSATO 36mm VDI30 DIN 5480
Axial driven tool re-directed by 36mm VDI30 DIN 5480
Axial angetriebenes Werkzeug achsversetzt um 36mm VDI30 DIN 5480



M.T. srl
Via Casino Albini 480
Tel. 0541/956034-957884
Fax 0541/956341
47842 S. GIOVANNI IN M. (RN)
e-mail: mtma@mtmarchetti.com
http://www.mtmarchetti.com



SAU017-2-05

Subject to change without notice.