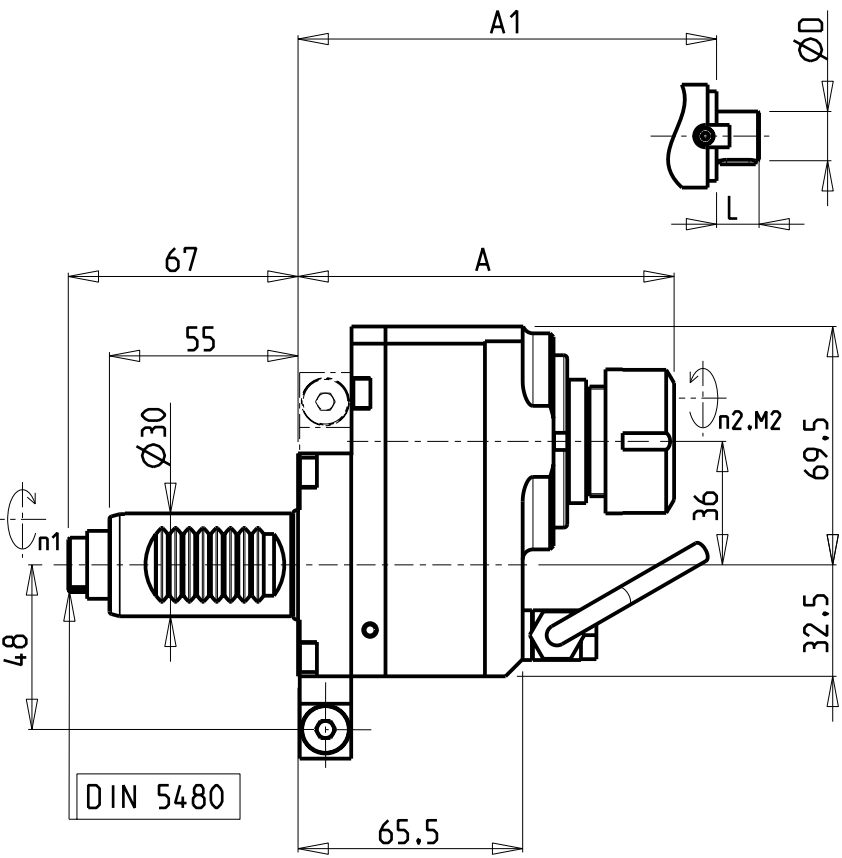
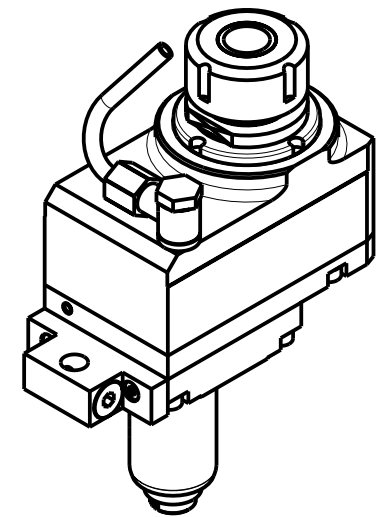
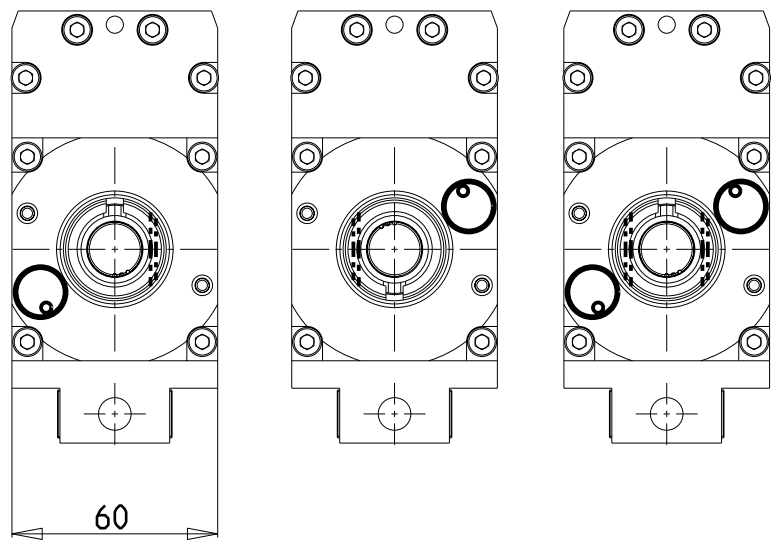


ATTENZIONE - ATTENTION - ACHTUNG

- Per lo smontaggio degli utensili utilizzare sempre la chiave di contrasto come indicato nel manuale d'uso.
- For disassembly of the tools use always the contrast key as mentioned in the user instructions.
- Fuer das Abmontieren der Werkzeuge immer den Gegenschlüssel benutzen wie in der Bedienungsanleitung erwaeht.



versione dx right version version rechts
 versione sx left version version links
 versione universale universal version universal version



DIN 5480

Cod. MT			Mandrino Spindle Spindel	I (n1:n2)	RPM max n2	Coppia Max Max Torque Max Drehmoment M2 (Nm)	Lubr.esterna Ext. coolant Aussenkuehlung	Lav. secco Dry-run Trocken Bearb.	A	A1	ØD	L	CHIAVI NON INCLUDE Keys not included Schluessel nicht einbegriffen	
versione dx right version version rechts	versione sx left version version links	versione universale universal version universal version											CHUB36	CHSTER25
SAU0100325	SAU0101325	SAU0102325	ER25	2:1	3000	45	X	X	109.66	-	-	-	CHUB36	CHSTER25
SAU0100722	SAU0101722	SAU0102722	Ø22x19	2:1	3000	45	X	X	-	90.5	22	19	CHUB36	CH_VTCROCE_M10 *

- Chiave inclusa
- Key included
- Schluessel inbegriffen

SAUTER
 VDI 30
 MODULO MOTORIZZATO ASSIALE RIDOTTO I=2:1 DISASSATO 36mm VDI30 DIN 5480
 Axial geared-down I=2:1 driven tool re-directed by 36mm VDI30 DIN 5480
 Axial angetriebenes Werkzeug untersetzt I=2:1 achsversetzt um 36mm VDI30 DIN 5480

M.T. srl
 Via Casino Albini 480
 Tel. 0541/956034-957884
 Fax 0541/956341
 47842 S. GIOVANNI IN M. (RN)
 e-mail: mtma@mtmarchetti.com
 http://www.mtmarchetti.com



SAU017-2-30

Subject to change without notice.