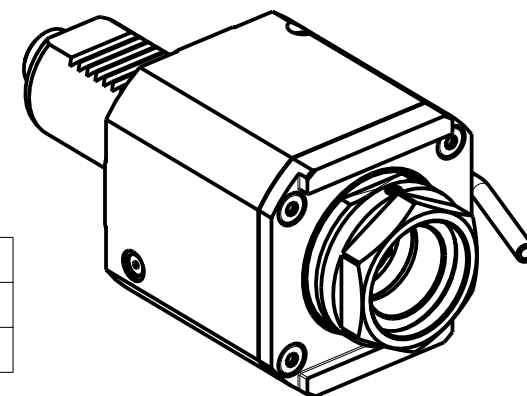


DIN 5480



- Chiave inclusa
- Key included
- Schlüssel inbegriffen

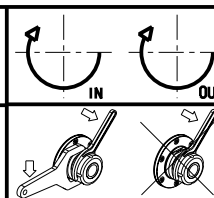
PER PORTAUTENSILI MODULARI MTSK-40 VEDI PAG. TBL300-1-40
 FOR MTSK-40 QUICK CHANGE TOOLHOLDERS CLAMPINGS SEE PAGE TBL300-1-40
 FUER MTSK-40 MODULARE WERKZEUGAUFNAHMEN SIEHE SEITE TBL300-1-40

Cod. MT	Mandrino Spindle Spindel	i	RPM	Coppia Max Max Torque Max Drehmoment	Lubrificazione int. Coolant through Innenkuehlung	Lubrificazione est. Ext. coolant Aussenkuehlung	CHIAVI NON INCLUSE Keys not included Schlüssel nicht einbegriffen	
SAU0550140	MTSK-40	1:1	6000	70Nm	-	X	CHUB46	OKU0650004 *
SAU0551240	MTSK-40	1:1	6000	70Nm	P=70bar	X	CHUB46	OKU0650004 *

NEW

SAUTER
VDI 40

MODULO MOTORIZZATO ASSIALE MTSK VDI40 DIN 5480
 Axial MTSK driven tool VDI40 DIN 5480
 Axial MTSK angetriebenes Werkzeug VDI40 DIN 5480



M.T. srl
 Via Casino Albini 480
 Tel. 0541/956034-957884
 Fax 0541/956341
 47842 S. GIOVANNI IN M. (RN)
 e-mail: mtma@mtmarchetti.com
 http://www.mtmarchetti.com



SAU017-3-00-K

Subject to change without notice.

03/2024