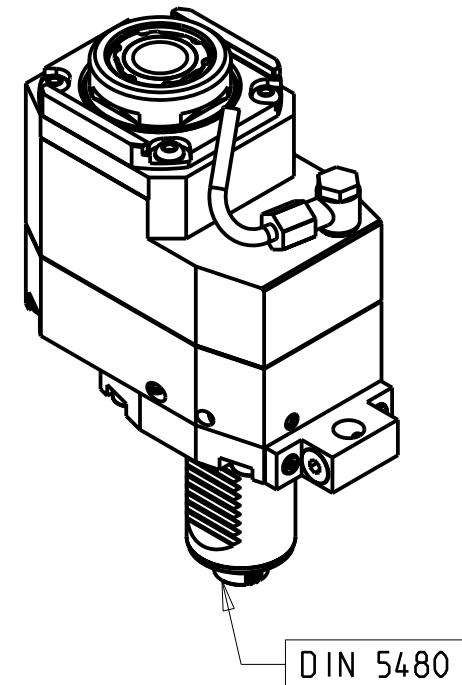
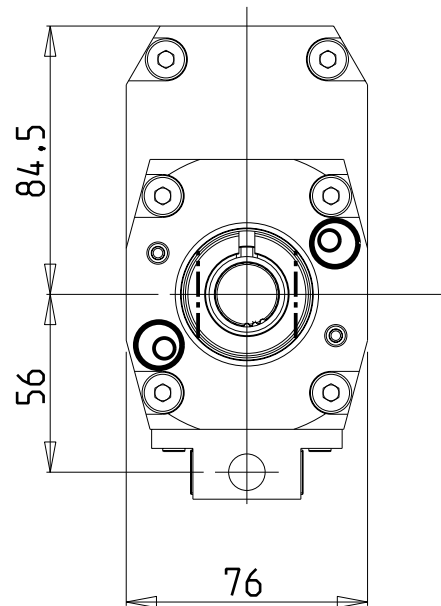


versione universale
universal version
universal version



DIN 5480

Cod. MT	Mandrino Spindle Spindel	I (n1:n2)	RPM max n2	Coppia Max Max Torque Max Drehmoment M2 (Nm)	Lubrificazione int. Coolant through Innenkuehlung Pmax (bar)	Lubr.esterna Ext. coolant Aussenkuehlung	Lav. secco Dry-run Trocken Bearb.	CHIAVI NON INCLUDE Keys not included Schlüssel nicht einbegriffen		
SAU0918132	ERA32	1:2	12000	45	-	X	X	CHUB30	CHTAER32ZC	OKU0650004
SAU0918232	ERA32	1:2	12000	45	70	X	-	CHUB30	CHTAER32ZC	OKU0650004

- Chiave inclusa
- Key included
- Schlüssel inbegriffen

SAUTER
VDI 40

MODULO MOTORIZZATO ASSIALE MOLTIPLICATO I=1:2 DISASSATO 42mm VDI40 DIN 5480
Axial geared-up I=1:2 driven tool re-directed by 42mm VDI40 DIN 5480
Axial angetriebenes Werkzeug uebersetzt I=1:2 achsversetzt um 42mm VDI40 DIN 5480

M.T. srl

Via Casino Albini 480
Tel. 0541/956034-957884
Fax 0541/956341
47842 S. GIOVANNI IN M. (RN)
e-mail: mtma@mtmarchetti.com
http://www.mtmarchetti.com



SAU017-3-61

Subject to change without notice.

03/2026