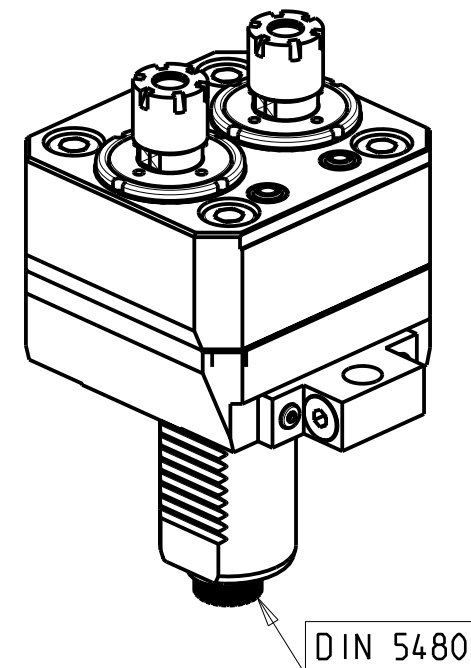


### ATTENZIONE - ATTENTION - ACHTUNG

- Per lo smontaggio degli utensili utilizzare sempre la chiave di contrasto come indicato nel manuale d'uso.
- For disassembly of the tools use always the contrast key as mentioned in the user instructions.
- Fuer das Abmontieren der Werkzeuge immer den Gegenschlüssel benutzen wie in der Bedienungsanleitung erwäehnt.



Cod. MT		Mandrino Spindle Spindel	I (n1:n2)	RPM max n2	Coppia Max Max Torque Max Drehmoment M2 (Nm)	Lubr.esterna Ext. coolant Aussenkuehlung	Lav. secco Dry-run Trocken Bearb.	A	CHIAVI NON INCLUDE Keys not included Schlüssel nicht einbegriffen	
versione dx right version version rechts	versione sx left version version links								CHUB17	CHMNER16
SAU0450216	SAU0451216	ER16	1:1	6000	30	X	X	102	CHUB17	CHMNER16
SAU0450225	SAU0451225	ER25	1:1	6000	30	X	X	102,96	CHUB36	CHSTER25

SAUTER  
VDI 40

MODULO MOTORIZZATO ASSIALE 2 USCITE IN Y VDI40 DIN 5480  
Axial single side twin head driven tool in Y VDI40 DIN 5480  
Axial angetriebenes Werkzeug 2 Ausgaenge in Y VDI40 DIN 5480

Subject to change without notice.

**M.T. srl**

Via Casino Albini 480  
Tel. 0541/956034-957884  
Fax 0541/956341  
47842 S. GIOVANNI IN M. (RN)  
e-mail: mtma@mtmarchetti.com  
http://www.mtmarchetti.com



SAU017-3-80