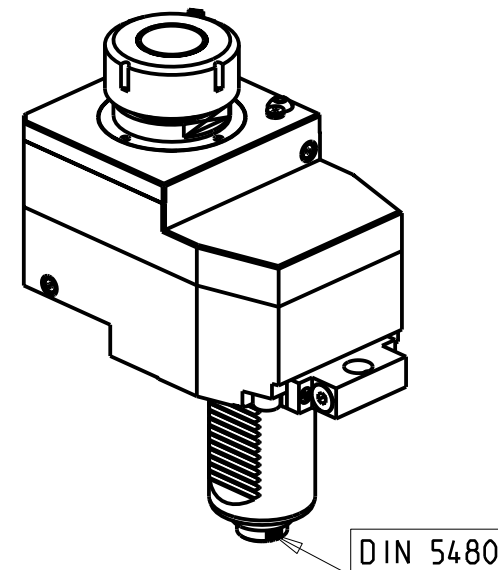
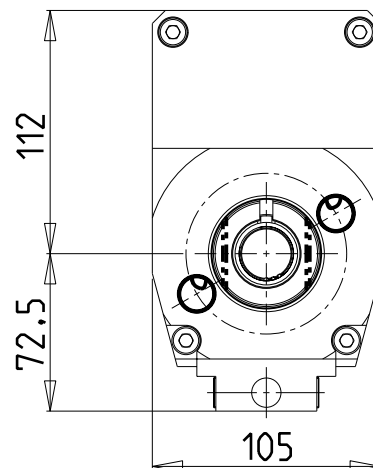


versione universale
universal version
universal version



- Chiave inclusa
- Key included
- Schluessel inbegriffen

Cod. MT	Mandrino Spindle Spindel	I (n1:n2)	RPM max n2	Coppia Max Max Torque Max Drehmoment M2 [Nm]	Reversibile 180° 180° Reversible 180° umsetzbar	Lubr.esterna Ext. coolant Ausserkuehlung	Lav. secco Dry-run Trocken Bearb.	A	A1	A2	ØD	L	CHIAVI NON INCLUDE Keys not included Schluessel nicht einbegriffen	
SAU0281225	ERA25	2:1	3000	120	X	X	X	144.16	-	-	-	-	CHUB46	CHUB27
SAU0281232	ERA32	2:1	3000	120	X	X	X	115.8	-	-	-	-	CHUB46	CHUB32
SAU0280240	ER40	2:1	3000	120	X	X	X	122.5	-	-	-	-	CHUB46	CHSTER40
SAU0282222	Ø22x19	2:1	3000	120	X	X	X	-	116.5	-	22	19	CHUB46	CH_VTCROCE_M10
SAU0283225	WELDON 25	2:1	3000	120	X	X	X	-	-	137.5	-	-	-	-

SAUTER
VDI 50

MODULO MOTORIZZATO ASSIALE RIDOTTO I=2:1 DISASSATO 60mm VDI50 DIN 5480
Axial geared-down I=2:1 driven tool re-directed by 60mm VDI50 DIN 5480
Axial angetriebenes Werkzeug untersetzt I=2:1 achsversetzt um 60mm VDI50 DIN 5480

Subject to change without notice.

M.T. srl

Via Casino Albini 480
Tel. 0541/956034-957884
Fax 0541/956341
47842 S. GIOVANNI IN M. (RN)
e-mail: mtma@mtmarchetti.com
http://www.mtmarchetti.com



SAU017-4-30